

4/16/2016

Step-Down Autotransformer
480 or 347v to 277v
60 Hz

Project:	
Catalog#:	
Approved by:	

Step-Down Autotransformer

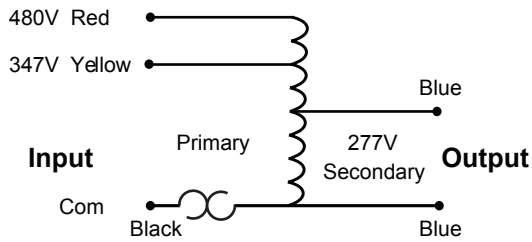
Step-Down Autotransformer					
Maximum Input Power	Line Voltage Tap	Output Volts	Input Current (Max Load)	Input Current (No Load)	Efficiency
250VAC	480V	277V	0.55A	0.13A	>90%
250VAC	347V	277V	0.80A	0.15A	>90%

Specifications

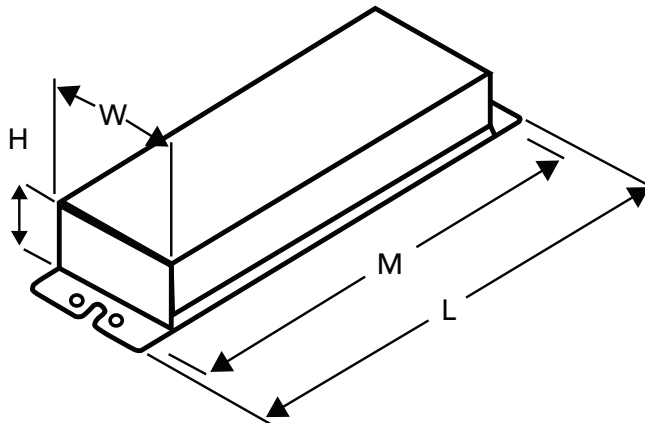
- UL & cUL Listed
- Thermally Protected
- Sound Rated A
- Insulation Rating: Class A (90°C)
- Operates at specified line voltage of 60 Hz

Wiring Diagram

347V or 480V Input



Insulate unused input leads
Use with grounded systems only
Install in accordance with the National Electric Code



Dimensions

- L: 9.5"
- M: 8.89"
- W: 1.7"
- H: 1.2"

• Specifications are subject to change without notice.