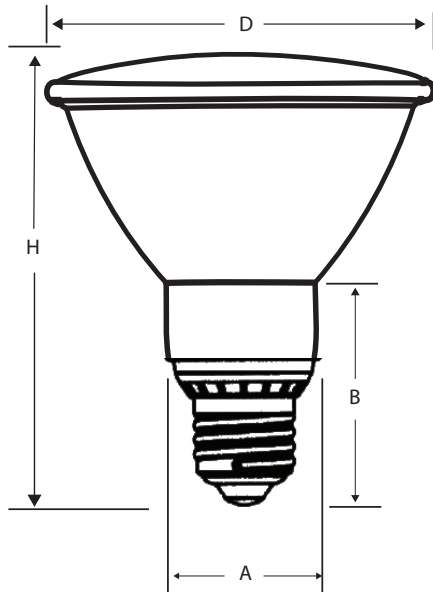


12/15/2011

Self Ballasted Compact Fluorescent Lamp

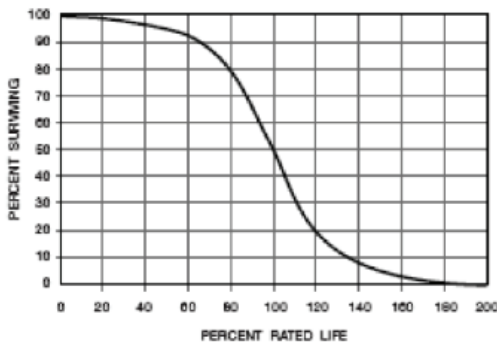
23 Watt PAR38



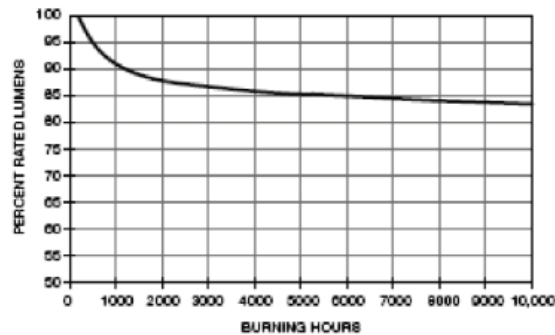
Project:	
Catalog#:	
Approved by:	

Ordering Information	
Howard Catalog Number (Ordering Code)	CF23PAR38/865
UPC Code	799385-01989
Description	PAR38
Package Quantity	12
Physical Characteristics	
Base	Medium (ED26)
H: MOL (Maximum Overall Length) (in.)	5.5"
D: Diameter (in.)	4.80"
A: Base Width (in.)	1.44"
B: Base Height (in.)	1.34"
Operating Characteristics	
Lamp Watts (Nominal)	23
Approx. Initial Lumens	1050
Incandescent Equivalent	85
Average Rated Life (Hours)	8,000
Color Temperature (K)	6500
CRI (Color Rendering Index)	>80
Voltage	110-130v
Power Factor	>0.5
Operating Position	
	Universal

Typical Fluorescent Lamp Mortality



Lumen Maintenance Curve



Note:

- Self ballasted CFL lamps cannot be installed on dimming circuits.
- Do not use in emergency exit fixtures or lights.
- For outdoor applications use only in enclosed fixtures to avoid exposure to weather.
- Do not use on electronic timers, photocells, lighted switches or any other switches that do not meet UL20 Sec. 7.6.15.
- Meets, FCC, CUL, UL and CE requirements.
- Install and remove lamp from fixture grasping plastic base.
- Use only 120v AC, 60Hz circuit.
- Never disassemble or modify lamp.
- Fully enclosed or recessed fixtures must contain proper ventilation.
- Best performance achieved when operated at 77°F/25°C.
- This product may cause interference with radios, cordless phones, televisions, and remote controls. If interferences occur, move this product away from the device and plug into a different outlet.
- Lamps contain mercury, dispose in accordance with local and state regulations.
- Warranty, this bulb is warranted for one year from date of purchase.
- Specifications subject to change. Actual results may vary.

Self Ballasted Compact Fluorescent Lamps