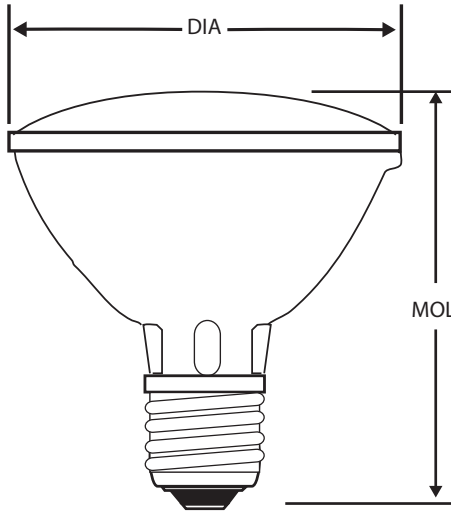


12/19/2011

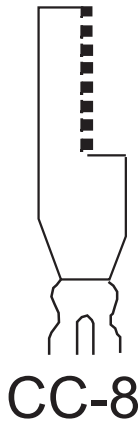
Halogen Lamps

**Halogen Lamp
50 Watt PAR30 Series**

Project:	
Catalog#:	
Approved by:	



Ordering Information	
Howard Catalog Number (Ordering Code)	50PAR30/H/NFL-130
UPC Code	01310
Description	PAR30 Halogen
Package Quantity	30
Physical Characteristics	
Filament	CC-8
Base	Med. (E26)
Beam Spread	Narrow Flood
DIA (Diameter) (in)	3.70
MOL (Maximum Overall Length) (in)	3.60
Operating Characteristics	
Beam Angle Degree	24
Volts	130 120
Watts	50 44
Approx. Lumens Initial (lm)	600 468
Average Rated Life (hours)	2500 5000



Note:

1. Never disassemble or modify lamp.
2. Specifications subject to change. Actual results may vary.
3. Tungsten halogen lamps operate at high temperatures. Therefore, it is suggested to let the lamp cool completely before replacing.