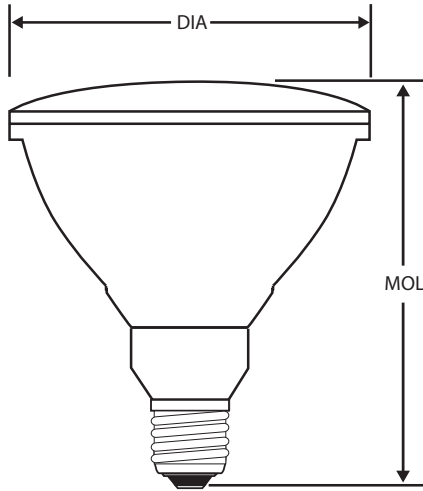


12/19/2011

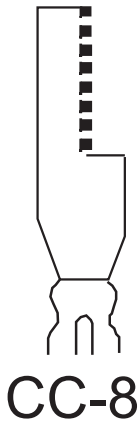
Halogen Lamps

**Halogen Lamp
45 Watt PAR38 Series**

Project:	
Catalog#:	
Approved by:	



Ordering Information		
Howard Catalog Number (Ordering Code)	45PAR38/H/FL-130	
UPC Code	01334	
Description	PAR38 Halogen	
Package Quantity	15	
Physical Characteristics		
Filament	CC-8	
Base	Med. (E26)	
Beam Spread	Flood	
DIA (Diameter) (in)	4.76	
MOL (Maximum Overall Length) (in)	5.31	
Operating Characteristics		
Beam Angle Degree	36	
Volts	130	120
Watts	45	40
Approx. Lumens Initial (lm)	520	406
Average Rated Life (hours)	2500	5000



Note:

1. Never disassemble or modify lamp.
2. Specifications subject to change. Actual results may vary.
3. Tungsten halogen lamps operate at high temperatures. Therefore, it is suggested to let the lamp cool completely before replacing.