

5/22/2016

Fluorescent Stairwell Fixture

4 Foot; Operates up to three lamps



Applications

Stairwell Lighting	Egress
Shop/Sheds	Restrooms
Task Lighting	Hallways
Storage Areas	Laundry Rooms

Model Ordering *(see page 2 for more options)*

SW4 W BAA MV 00U 00 01

SW4 Stairwell 4-Foot Fixture

(W) White Lens

(B) Ballast upon occupancy

2x32w Program Rapid Start Normal Ballast

Factor Ballast

(A) Ballast with continuous operation

1x17w Instant Start Low Ballast Factor Ballast (16W)

(MV) Multi-volt (120-277v)

(U) Ultrasonic Sensor

Individual Box

Howard offers an ies file from a 3rd party laboratory that is accurate to the best of our ability. This file can be used to simulate light levels for each particular application. Ultimately it is the responsibility of the design engineer or lighting designer to coordinate with all local authorities having jurisdiction to define requirements throughout the design process. There must be a clear understanding of the jurisdictional authority's interpretation of the required light levels for egress to avoid significant problems following the construction phase. Additionally, egress light levels need to fall within prescribed energy codes and other design criteria adopted in the project area. For more on this subject please see the following web site. <http://ecmweb.com/content/exterior-egress-lighting-requirements>

Specifications subject to change without notice.

Project:	
Catalog#:	
Approved by:	

Description

The SW4 Stairwell series fluorescent strip fixture exemplifies durability, versatility, and functionality. It operates two 4' linear fluorescent lamps using Program Rapid Start (PRS) ballast and highly advanced ultrasonic motion sensor. It also has a 2' linear fluorescent 17W lamp driven by an instant start ballast that stays on at all times providing minimal light when unoccupied. The low voltage ultrasonic sensor allows the fixture to detect movement around corners and in any open space, even with obstacles blocking the line of sight from the sensor. This bi-level system provides optimal energy savings over the life of the fixture. Consult factory for further details.

Features

- Construction
 - Die-formed 22 gauge steel
 - High gloss, baked enamel finish
 - High quality lamp holders
 - NEC compliant luminaire power disconnect standard
- Installation
 - Shipped fully wired with ballast
 - Simple screw driver assembly
 - Easy access to lamp compartment with removal of snap-in lens diffuser
 - Tamper-proof version also available
 - Numerous knockouts on back and ends
 - Surface mount
- Ballast
 - Electronic, Inherent Thermal Protection, Class P, Sound rated A
 - UL Listed
- Occupancy Sensor
 - Ultrasonic
- Quality Assurance
 - System Tested, Designed, Approved, and Manufactured in Mendenhall, Mississippi.

Fluorescent Stairwell Fixture

4 Foot; Operates up to three lamps

Project:	
Catalog#:	
Approved by:	

Ordering Information

Model Family	Lens	Ballast upon Occupancy	Ballast with Continuous Operation	CRI/CCT ⁽²⁾					Input Volts	Factory Installed Options	T B A	Pack.
SW4	W	B	A	A					MV	00U	000	I
SW4	W: White lens	A: 2x32w T8 Program Rapid Start Low Ballast Factor Ballast ⁽¹⁾ B: 2x32w T8 Program Rapid Start Normal Ballast Factor Ballast ⁽¹⁾ C: 2x32w T8 Program Rapid Start High Ballast Factor Ballast ⁽¹⁾	A: 1x17w T8 Instant Start Low Ballast Factor Ballast B: 1x17w T8 Instant Start Normal Ballast Factor Ballast C: 1x17w T8 Instant Start High Ballast Factor Ballast N: None	A: No Lamps						MV: 120-277v	000: No FIOs Occupancy Sensors U: Ultrasonic Occ Sensor ⁽³⁾ B: Em. Ballast(500 Lumen) ⁽⁴⁾	I: Single B: Bulk
					CRI	CCT	High Lumen	T8				
				B:	75	3000		X				
				C:	75	3500		X				
				D:	75	4100		X				
				E:	75	5000		X				
				F:	85	3000		X				
				G:	85	3500		X				
				H:	85	4100		X				
				I:	85	5000		X				
				K:	85	3000	Yes	X				
				L:	85	3500	Yes	X				
				M:	85	4100	Yes	X				
				N:	85	5000	Yes	X				

(1) High Efficiency ballasts are CEE Listed.

(2) Lamp installation available.

(3) Occupancy Sensors should be used with programmed rapid start ballasts for maximum lamp life.

Standard Occupancy Sensor requires neutral wired fixtures (ex. -120v or -277v).

For phase-to-phase voltage applications (240v) advise Customer Service at time of request.

(4) 500 Lumen Emergency Ballast (120-277v only)

Sample Ordering Number:

SW4 W BAA MV 00U 00 01

SW4 Stairwell 4-Foot Fixture

(W) White Lens

(B) Ballast upon occupancy

2x32w Program Rapid Start Normal Ballast Factor Ballast

(A) Ballast with continuous operation

1x17w Instant Start Low Ballast Factor Ballast (16W)

(MV) Multi-volt (120-277v)

(U) Ultrasonic Sensor

Standard Disconnect; no cordset

Individual Box

Specifications subject to change without notice.

5/22/2016

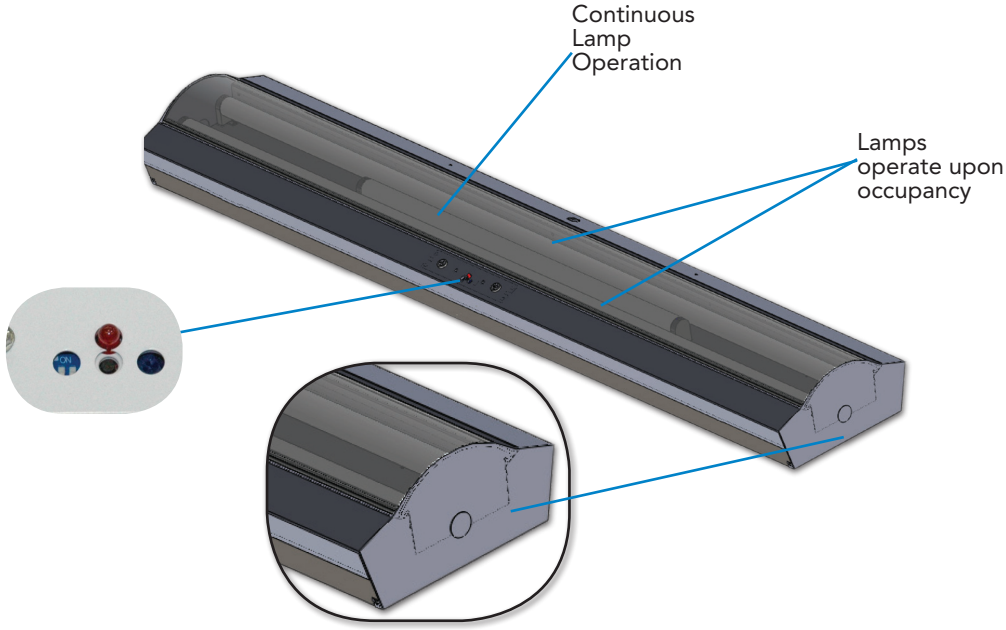
Fluorescent Stairwell Fixture

4 Foot; Operates up to three lamps

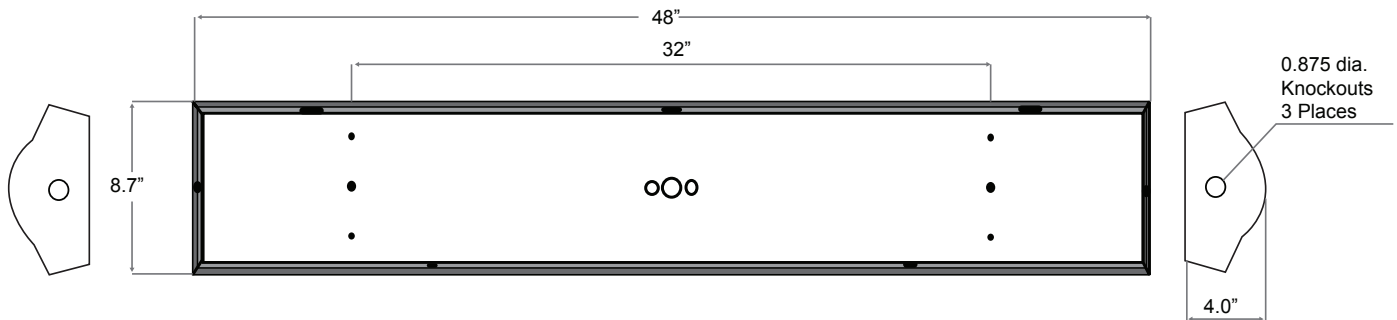
Project:	
Catalog#:	
Approved by:	

Stairwell Series

Lamp Configuration



Dimensions



Specifications subject to change without notice.

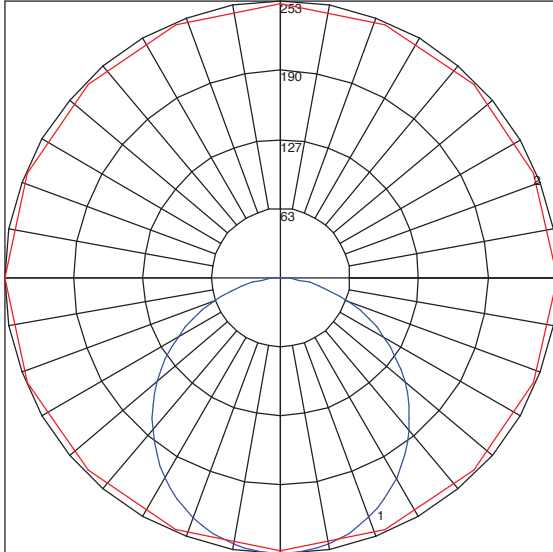
5/22/2016

Project:	
Catalog#:	
Approved by:	

PHOTOMETRIC DATA

Stairwell Series

Polar Plot - 17W lamp only



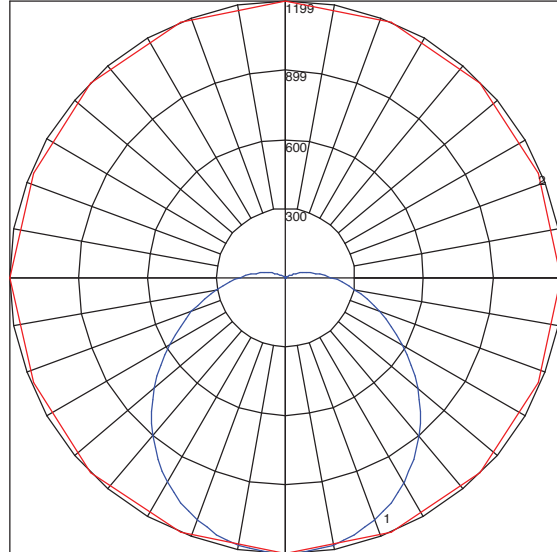
IES Report: SW4WBAAMV00U000I - 17W ONLY.IES

Maximum Candela: 253.4

#1 Vertical Plane Through Horizontal Angles (0-180) (through max. cd)

#2 Horizontal Cone Through Horizontal Angle (2.5) (through max. cd)

Polar Plot - (1) 17W & (2) 32W



IES Report: SW4WBAAMV00U000I.IES

Maximum Candela: 1199.2

#1 Vertical Plane Through Horizontal Angles (67.5-247.5) (through max. cd)

#2 Horizontal Cone Through Horizontal Angle (2.5) (through max. cd)

Zonal Lumen Summary - 17W only

Zone	Lumens	%Lamp	%Fix
0-30	195.03	13.90	24.60
0-40	319.47	22.80	40.30
0-60	568.72	40.60	71.80
0-90	767.51	54.80	96.90
0-180	791.89	56.60	100.00

Zonal Lumen Summary - (1) 17W & (2) 32W

Zone	Lumens	%Lamp	%Fix
0-30	930.76	12.80	24.00
0-40	1527.71	20.90	39.40
0-60	2726.49	37.40	70.30
0-90	3717.84	50.9	95.90
0-180	3877.69	53.10	100.00

Coefficients of Utilization - Zonal Cavity Method - (1) 17W & (2) 32W

Effective Floor Cavity Reflectance 0.20																		
RC	80				70				50			30			10			0
	70	50	30	10	70	50	30	10	50	30	10	50	30	10	50	30	10	0
0	63	63	63	63	61	61	61	61	58	58	58	55	55	55	52	52	52	51
1	56	54	51	49	55	52	50	48	49	47	46	47	45	44	45	43	42	41
2	51	46	42	39	49	45	41	38	43	40	37	41	38	36	39	37	35	33
3	46	40	36	32	45	39	35	32	37	34	31	36	33	30	34	31	29	28
4	42	36	31	27	41	35	30	27	33	29	26	32	28	26	30	27	25	24
5	39	32	27	23	38	31	26	23	30	26	22	28	25	22	27	24	22	20
6	36	29	24	20	35	28	23	20	27	23	20	26	22	19	25	21	19	18
7	33	26	21	18	32	25	21	18	24	20	17	23	20	17	22	19	17	16
8	31	24	19	16	30	23	19	16	22	18	15	21	18	15	21	17	15	14
9	29	22	17	14	28	21	17	14	20	17	14	20	16	14	19	16	14	13
10	27	20	16	13	26	20	16	13	19	15	13	18	15	12	18	15	12	11

Specifications subject to change without notice.