

## LIMITED QUANTITIES AVAILABLE

### Description

The parabolic lensed troffer provides low glare, light cut-off, and visual comfort.

### Application

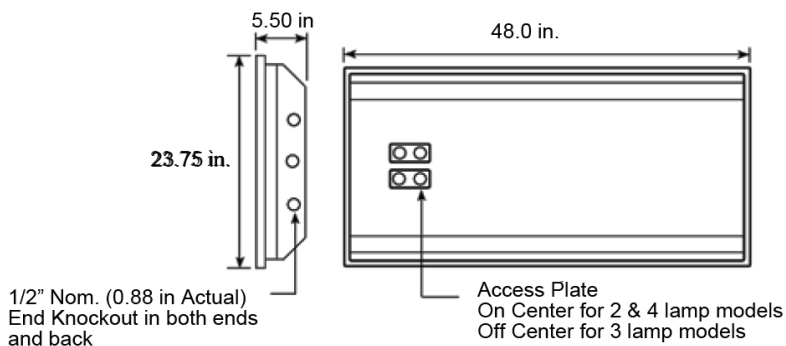
Great for all commercial and industrial buildings requiring general illumination with recessed configurations.

### Features

- Heavy duty post-painted steel construction
- High reflectance baked white enamel, with black reveal support rails.
- Wiring knockouts provided on back and end of housing.
- Ballast cover or reflector snaps into place; no tools required for ballast access.
- Aluminum louver - standard is low iridescent semi-specular
- Louvers hinge from either side; field reversible.
- Access plate to simplify installation.
- Louvers available in 18 or 32 cell counts, and are closed by two positive cam latches.



### Dimensions



### Ordering Information

UPC#	Model#	Description
06311	FP240332ASIMV0000140I	2X4 Troffer Parabolic - 3 lamps, 3" Deep Cell, 18 cells (3x6 pattern), F32T8 Standard BF Electronic Multi-volt Ballast, no lamps installed, 6' Flexible Whip Installed (18 AWG), Individual package
06312	FP241432ASIMV0000140I	2X4 Troffer Parabolic - 4 lamps, 3" Deep Cell, 32 cells (4x8 pattern), F32T8 Standard BF Electronic Multi-volt Ballast, no lamps installed, 6' Flexible Whip Installed (18 AWG), Individual package

• Specifications are subject to change without notice.