

**T Series LED Canopy**

45W and 80W (120–277V)

37W and 74W (347–480V)



**Description**

T Series LED canopy light is an ideal solution for illuminating parking garages, canopies, and other applications requiring low-profile luminaire that can be surface- or pendant-mounted. With a die cast aluminum housing and a polycarbonate lens, the fixture will stand up to many years of punishing environmental conditions. High-efficacy, long-life LEDs provide both energy and maintenance cost savings compared to traditional canopy lights with HID, fluorescent or incandescent lamps.

**Features**

- Die cast aluminum housing with durable, dark bronze, powder coat paint.
- Lens: High light transmittance PC, anti-UV fire resistant.
- Long-life LEDs provide a minimum of 60,000 hours of operation with at least 70% of initial lumen output (L70)\*.
- Driver: 120-277V & 347-480V/50-60Hz
- 0-10vdc dimming capability is standard.
- Power factor > 0.90, total harmonic distortion < 20%.
- Color rendering index > 80.
- 10kV surge protector is standard.
- Removable, threaded plugs for side attachment of ½" rigid electrical conduit.
- Optional Microwave occupancy sensor (add '-M', non-stocked item).
- Easy installation in new construction or retrofit.
- Warranty: 5 years

\* L70 hours are IES TM-21-11 calculated hours.

Project:	
Catalog#:	
Approved by:	

**Applications**

- |               |                  |
|---------------|------------------|
| Parking areas | Underpasses      |
| Entrances     | Loading docks    |
| Walkways      | Recreation areas |

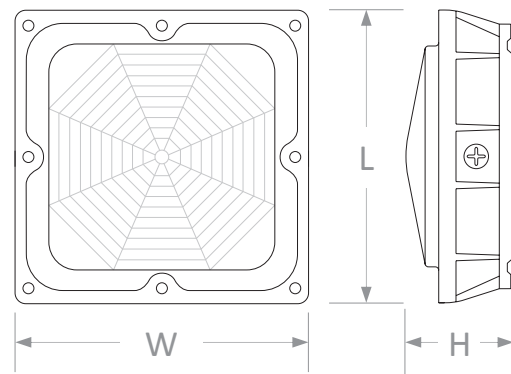
**Warranty & Listings**

- cULus listed for wet locations (-40°C to 40°C / -40°F to 104°F).
- IP65 rated.
- Complies with FCC Part 15, class B.
- 5-year warranty on all electronics and housing.

**Mounting Options**

- Junction box mounting plate is standard.
- Luminaire can also be directly surface-mounted to canopies by removing the lens, drilling holes in the cast housing, and screwing the luminaire to the canopy.
- Threaded hole on back of luminaire for ¾" rigid electrical conduit also provides for pendant-mounting.

**Dimensions**



Ordering Information				
Model	Watts	Lumens	Lm/W	Voltage
LSCT45DMV	45	4948	110	120-277V
LSCT45DMV-P*		4477	98	
LMCT95DMV	80	9548	120	347 - 480V
LSCT45DHV**	37	4291	115	
LMCT95DHV**	74	8909	121	

Model	Length (L)	Width (W)	Height (H)	Weight
LSCT	10"	10"	3 5/8"	5.6 lbs.
LMCT	14"	14"	4"	10.0 lbs.



\*\* Non-stocked items. \* Suitable for parking garage applications.

**Electrical**

Model	CCT	CRI <sup>1</sup>	Lumens	Watts	Lm/W	Input Voltage <sub>2</sub>	Input Current (A)			Power Factor	THD <sup>3</sup>	L <sub>70</sub> Hours <sup>4</sup>
							120V	240V	277V			
LSCT45DMV	5000K	> 80	4,948	44	112	120-277	0.37	0.18	0.16	> 90%	< 20%	62,000
LMCT95DMV			9,548	80	120		0.67	0.33	0.29			60,000

<sup>1</sup> Color rendering index.

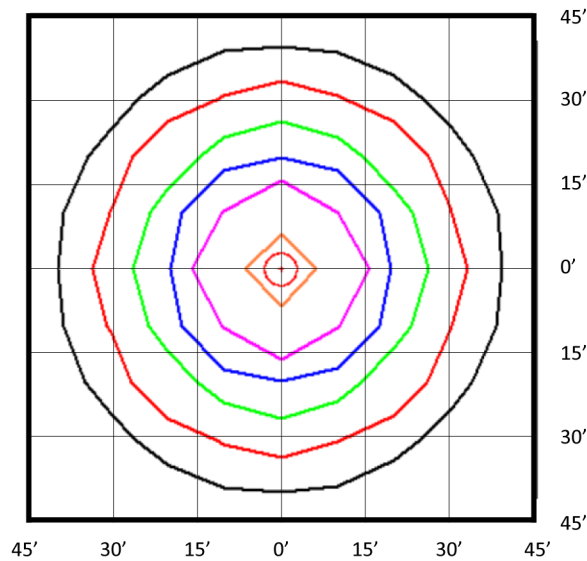
<sup>2</sup> All 50-60Hz.

<sup>3</sup> Total harmonic distortion.

<sup>4</sup> L<sub>70</sub> refers to the number of hours at which lumen output declines to 70% of the initial level. L<sub>70</sub> hours are IES TM-21-11 calculated hours.

**Photometric Data**

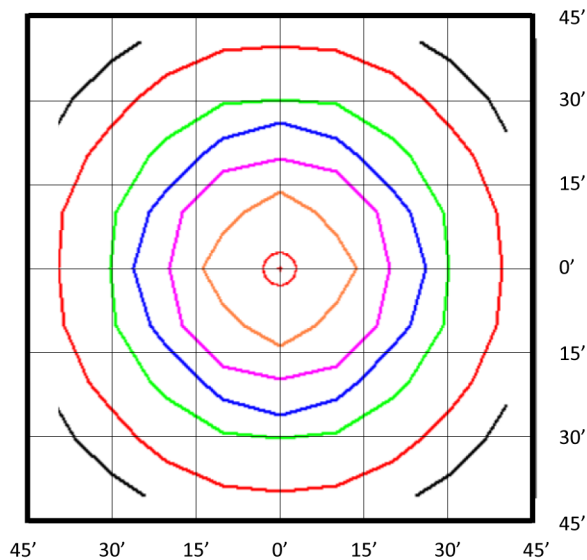
LSCT45DMV (4,948 Lumens)



BUG Rating: B2-U2-G1

Zone	Lumens	%
FL - Front - Low (0-30)	673	14%
FM - Front - Medium (30-60)	1,252	25%
FH - Front - High (60-80)	454	9%
FVH - Front - Very High (80-90)	80	2%
<b>Total Forward Light</b>	<b>2,458</b>	<b>50%</b>
BL - Back - Low (0-30)	672	14%
BM - Back - Medium (30-60)	1,259	25%
BH - Back - High (60-80)	462	9%
BVH - Back - Very High (80-90)	79	2%
<b>Total Back Light</b>	<b>2,472</b>	<b>50%</b>
UL - Up Light - Low (90-100)	8	0%
UH - Up Light - High (100-180)	10	0%
<b>Total Up Light</b>	<b>18</b>	<b>0%</b>
<b>Total Lumens</b>	<b>4,948</b>	<b>100%</b>

LMCT95DMV (9,548 Lumens)



BUG Rating: B3-U2-G2

Zone	Lumens	%
FL - Front - Low (0-30)	1,290	14%
FM - Front - Medium (30-60)	2,396	25%
FH - Front - High (60-80)	918	10%
FVH - Front - Very High (80-90)	152	2%
<b>Total Forward Light</b>	<b>4,757</b>	<b>50%</b>
BL - Back - Low (0-30)	1,296	14%
BM - Back - Medium (30-60)	2,407	25%
BH - Back - High (60-80)	909	10%
BVH - Back - Very High (80-90)	145	2%
<b>Total Back Light</b>	<b>4,757</b>	<b>50%</b>
UL - Up Light - Low (90-100)	17	0%
UH - Up Light - High (100-180)	18	0%
<b>Total Up Light</b>	<b>35</b>	<b>0%</b>
<b>Total Lumens</b>	<b>9,548</b>	<b>100%</b>

**Notes:** Isofootcandle plots depict initial footcandles at grade. With a mounting height of 15 feet.