

7/17/2016

# LED Small Canopy High Power



### Applications

- |               |                  |
|---------------|------------------|
| Parking areas | Underpasses      |
| Entrances     | Loading docks    |
| Walkways      | Recreation areas |

### Features

- Rugged and durable aluminum housing
- Dark bronze polyester powder coat finish
- L70 lifespan: 50,000+ hours
- LED's available in 5000K/CRI >83
- LSCH35DMV: 3,596 Lumens, 31 Watts, 115 Lm/W
- LSCH45DMV: 4,532 Lumens, 44 Watts, 102 Lm/W
- Minimum starting temperature: -40°F
- Suitable for use up to 40°C (104°F) ambient temperatures
- Polycarbonate refractor lens
- Surface mounts with cover plate and tek screws or 3.5" octagonal J-box or conduit feed.
- Quick mount plate provides for installation to a junction box.
- For ease of wiring, a hook and loop are provided to suspend the fixture during installation.
- Can be pendant mounted with 3/4" conduit entry from top.
- Housing includes four threaded and plugged 1/2" conduit entry points (all sides).
- Warranty: 5 years
- Listings: UL and cUL Listed for wet locations. RoHS compliant

Model Family	Power	Lumens	CCT	Driver	Input Volts
LSCH	H	4	5	D	MV
LSCH	H: High Power	3: 3,596 Lumens 4: 4,532 Lumens	5: 5000K	D: Dimmable Driver	MV: 120-277V

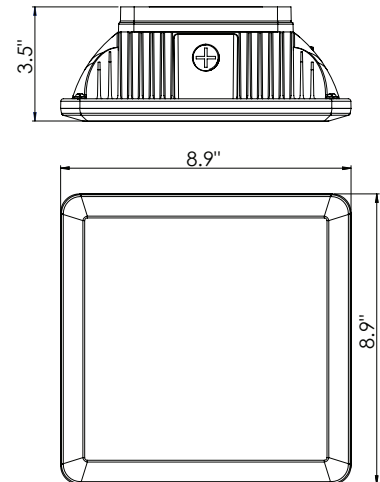
Project:	
Catalog#:	
Approved by:	

### Description

LSC series LED Small Canopy is designed to replace 70 watt to 100 watt HID fixtures. The long LED life and great color rendering makes this fixture attractive for new or retrofit projects.

### Benefits

- Energy Saving compared to HID systems
- Replaces 70-100W HID
- System Efficacy Up to 115 Lm/W
- Long LED Life
- System Tested and Approved by Howard Industries in Mendenhall, Mississippi.
- Compliant with safety and performance standards.



Visit [www.designlights.org](http://www.designlights.org) for the Qualified Products List