

5/8/2016

LED Medium Canopy High Power

LED Canopy



Applications

Parking areas	Underpasses
Entrances	Loading docks
Walkways	Recreation areas

Features

- Rugged and durable aluminum housing
- Dark bronze polyester powder coat finish
- L70 lifespan: 50,000+ hours
- LED's available in 5000K/CRI >83
- 9,039 Lumens, 78 Watts
- Minimum starting temperature: -40°F
- Suitable for use up to 40°C (104°F) ambient temperatures
- Polycarbonate refractor lens
- Surface mounts over 4" recessed square or octagon J-box or conduit feed.
- Quick mount plate provides for installation to a junction box.
- For ease of wiring, a hook and loop are provided to suspend the fixture during installation.
- Can be pendant mounted with 3/4" conduit entry from top.
- Housing includes four threaded and plugged 1/2" conduit entry points (all sides).
- Maximum pendant length is 12" (supplied by others)
- Warranty: 5 years
- Listings: UL and cUL Listed for wet locations. RoHS compliant

Model Family	Power	Lumens	CCT	Driver	Input Volts
LMC	H	9	5	D	MV
LMC	H: High Power	9: 9,039Lumens	5: 5000K	D: Dimmable Driver	MV: 120-277V

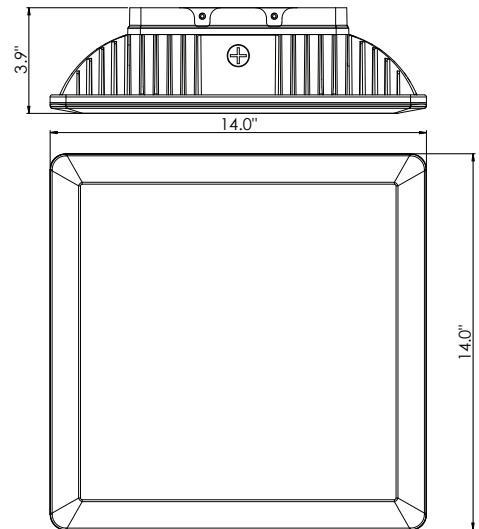
Project:	
Catalog#:	
Approved by:	

Description

LMC series LED Medium Canopy is designed to replace 150 watt to 200 watt HID fixtures. The long LED life and great color rendering makes this fixture attractive for new or retrofit projects.

Benefits

- Energy Saving compared to HID systems
- Replaces 150 - 200W HID
- System Efficacy Up to 115 Lm/W
- Long LED Life
- System Tested and Approved by Howard Industries in Mendenhall, Mississippi.
- Compliant with safety and performance standards.



Visit www.designlights.org
for the Qualified Products List