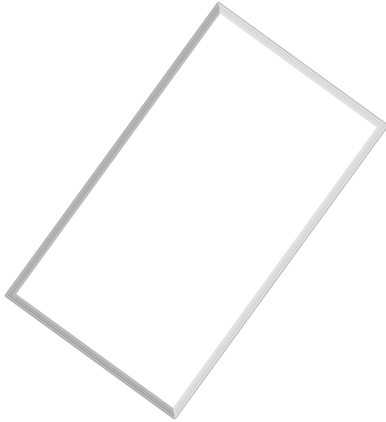


**LED Flat Panel**  
Ultra-Thin Edge-Lit LED Panel  
2X4



Project:	
Catalog#:	
Approved by:	

**Warranty & Listings**

- UL listed for damp locations and insulated ceilings (IC-rated) for use in ambient temperatures from -25°C to 50°C (-13°F to 122°F).
- Complies with RoHS (Restriction on Hazardous Substances) requirements.
- 5-year warranty of all electronics and housing.

**Surface Mounting Kit**

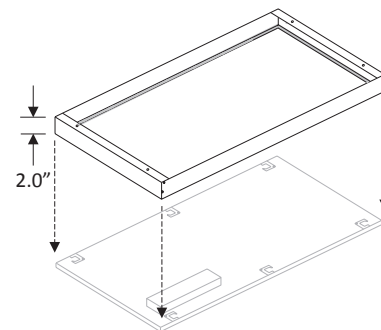
- Optional surface mounting kit provides for installation on plaster or other hard ceilings.

**Description**

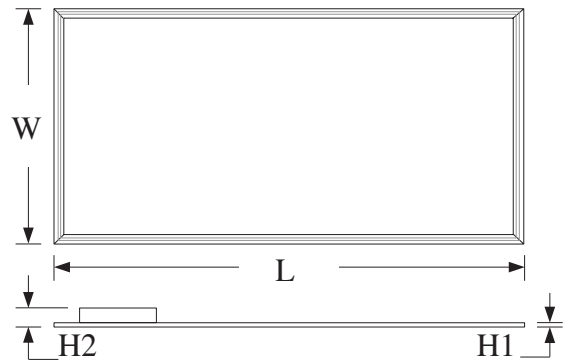
The premium-performance, ultra-thin, edge-lit LED panel series offers industry-leading lumens per watt (LPW). The LFP is designed to deliver general ambient lighting in a variety of indoor settings, including schools, offices, hospitals and stores, and is the perfect choice for both new construction and retrofits. This high-efficiency luminaire provides long-life and uniform illumination, as well as standard 0-10 VDC dimming capability.

**Features**

- Long-life LEDs
- Uniform illumination with no visible LED pixilation.
- Universal 120-277 AC voltage (50-60Hz) is standard.
- 0-10VDC dimming capability is standard.
- Power factor > 0.90.
- Total harmonic distortion < 20%.
- Color rendering index > 80.
- Aluminum housing.
- PMMA (polymethyl methacrylate) acrylic lens with light guide panels for optimal light distribution and efficiency.
- Easy installation in new construction or retrofit.
- Standard earthquake clips provide secure installation in grid ceilings.
- Designed for recessed mounting in ceiling grids. Optional surface mounting requires a surface mounting kit (option LFP-SMK24)



**Dimensions**



Models	L (in.)	W (in.)	H1 (in.)	H2 (in.)
<b>LFP2440AMV</b>	47.7	23.7	0.38	1.8
<b>LFP2435-50MV<sup>2</sup></b>			0.5	2.0



**Ordering Information**

Model	Watts	Lumens	Lm/W	Voltage	Package Quantity	Options <sup>3</sup>	Rated Life <sup>4</sup> (L <sub>70</sub> )
<b>LFP2440AMV<sup>1</sup></b>	48	6,000	125	120 - 277V 50/60Hz	Sold in multiples of 2	LFP-SMK24	160,000 Hours
<b>LFP2435-50MV<sup>2</sup></b>	36	4,550					80,000 Hours

<sup>1</sup>Available in 4000k (neutral white) color temperature only.

<sup>2</sup>Where 50 represents CCT (5000K); 30=3000K, 35=3500K, 40=4000K, 50=5000K (call factory for lead times.)

<sup>3</sup>Field installed option <sup>4</sup>L<sub>70</sub> hours are IES TM-21-11 calculated hours.