

GL Series
LED Garage Light Series



Description

GL Series LED garage light is an ideal solution for illuminating parking garages, canopies, and other applications requiring lowprofile luminaire that can be surface or pendant-mounted. With a die cast aluminum housing and a polycarbonate lens, the fixture will stand up to many years of punishing environmental conditions. High-efficiency, long-life LEDs provide both energy and maintenance cost savings compared to traditional canopy lights with HID, fluorescent or incandescent lamps.

Features

- Long-life LEDs provide a minimum of 65,000 hours of operation with at least 90% of initial lumen output (L₉₀). L90 hours are IES TM-21-11 calculated hours.
- Die cast aluminum housing with durable, white, powder coat paint.
- Lens: High light transmittance PC, anti-UV fire resistant.
- Color Temperature: 4000K (neutral white) standard, call factory for other color options.
- Driver: 100-277V, 50/60Hz
- 1-10vdc dimming capability is standard.
- Power factor > 0.90, total harmonic distortion < 20%.
- Color rendering index > 80.
- Removable, threaded plugs for side attachment of 1/2" rigid electrical conduit.
- Integral dimming occupancy sensor.
- Easy installation in new construction or retrofit.
- Warranty: 5 years



Ordering Information					
Model	Configuration	CCT	Voltage	Housing Color	Controls
GL	-	40K	MV	W	S
GL (Garage Light)	A: 41W, 5240 lm	40K: 4000K	MV: 120- 277VAC	W: White	S: Integral Dimming Occupancy Sensor
	B: 62W, 7670 lm				

DLC ID: GL-A-40K-MV*-S: PLOZSRZDW2R8
GL-B-40K-MV*-S: PLHHQWBYNME0

Specifications subject to change without notice.

Howard Lighting Products | 580 Eastview Drive | Laurel, MS 39443
(toll free) 800.956.3456 | (direct) 601.422.0033 | (fax) 601.422.1652
www.HowardLightingProducts.com

Page 1 of 2
Rev: 11/29/2018

Project:	
Catalog#:	
Approved by:	
Date:	

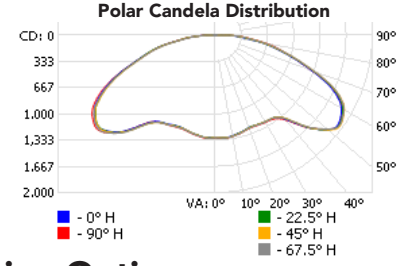
Applications

- Parking Areas
- Entrances
- Walkways
- Underpasses
- Loading Docks
- Recreation Areas

Warranty & Listings

- cULus listed for wet locations (-40°C to 40°C / -40°F to 104°F).
- IP65 rated.
- 5-year warranty on all electronics and housing.

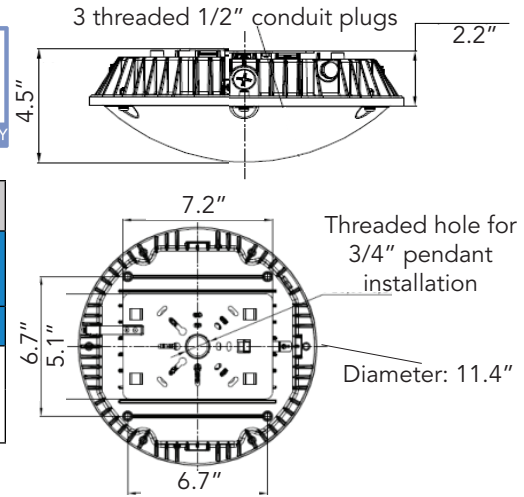
Photometrics



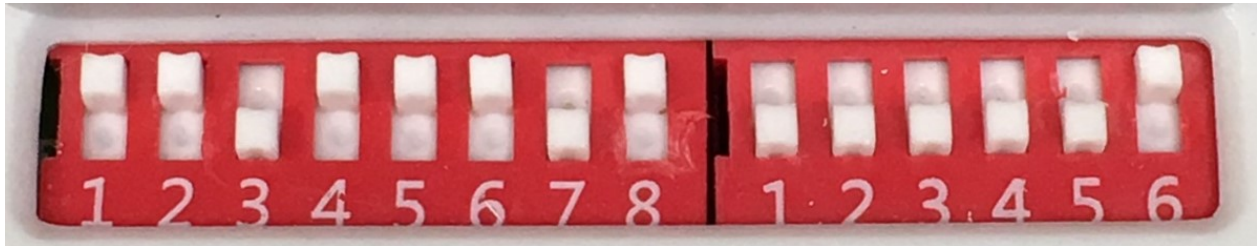
Mounting Options

- Junction box mounting plate is standard.
- Luminaire can also be directly surface-mounted to canopies by removing the lens, drilling holes in the cast housing, and screwing the luminaire to the canopy.
- Threaded hole on back of luminaire for 3/4" rigid electrical conduit also provides for pendant-mounting.

Dimensions



Factory Set Occupancy Sensor Settings



ON ↑ □	Detection Area		Hold Time				Stand-by Time				Daylight Sensor Setting				Dim Level			
	1	2	3	4	5	6	7	8	9	10	11	12	13	14	15	16		
ON	ON	100%	ON	ON	ON	5s	ON	ON	ON	0s	-	-	ON	ON	2Lux	ON	ON	50%
ON	-	75%	-	ON	ON	30s	-	ON	ON	5s	-	-	-	ON	5Lux	-	ON	30%
-	ON	50%	ON	-	ON	90s	ON	-	ON	5min	-	ON	ON	-	10Lux	ON	-	20%
-	-	10%	-	-	ON	3min	-	-	ON	10min	-	-	ON	-	25Lux	-	-	10%
			ON	ON	-	20min	ON	ON	-	30min	-	ON	-	-	50Lux			
			-	-	-	Infinity	-	ON	-	1h	ON	-	-	-	100Lux			
							-	-	-	Disable	-	-	-	-	Disable			

Detection Area: Detection area can be selected to meet precise needs of each application. (default 100%)

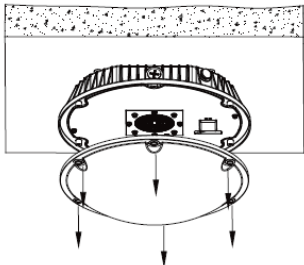
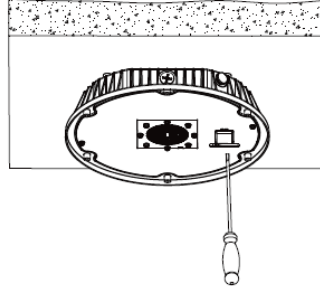
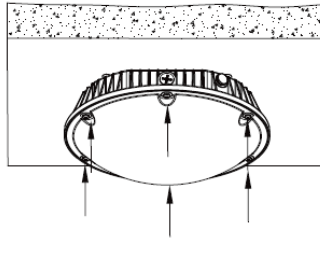
Hold Time: Stay-on time at 100% after motion detection. (default 30s)

Stand-by Time: Duration to stay at a dim level *after* hold time. (default 5 min.)

Daylight Sensor Setting: Sensor setting to only allow the luminaire to illuminate below a defined ambient brightness threshold. Daylight sensor is active only when luminaire is off. (default disabled)

Dimming Level: Desired fixture dim level during Stand-by period. (default 30%)

Sensor Setup*

<p>1. Remove the lens</p> 	<p>2. Adjust DIP switches with appropriate tool as needed</p> 	<p>3. Replace the lens and check the function of sensor</p> 
---	---	---

*The sensor can be disabled by moving 3, 4 & 5 switches to off position.