

**LED Flood Light**

Howard FLL8 Series

8W: 900 Lumens

Project:	
Catalog#:	
Approved by:	
Date:	

**Features**

- Energy Saving
- Comparable to 50W halogen using less energy.
- 50,000 hour LED lifespan for maintenance-free operation
- Heat dissipating fins for optimized thermal management.

**Housing**

- Low-copper, aluminum die-cast housing and lens frame.
- Heat dissipating fins for optimized thermal management.
- Durable polyester powder coat finish
- Bronze or white housing

**Lens/Refractor**

- Tempered glass lens, thermal shock and impact resistant.

**LEDs/LED Driver**

- 8W
- Color temp: Neutral White (4100K)
- CRI: 80
- Min. Starting Temperature: -30°C
- 900 Lumen Output
- 50,000 Hour Life
- Input voltage: 120-277V 50/60 Hz

**Mounting**

- 1/2" NPS aluminum die-cast swivel arm fits to standard junction box (not included).
- Side screw at arm knuckles allows for optics aiming.

**Certifications**

- UL/CUL Listed, suitable for Wet Locations

**Warranty**

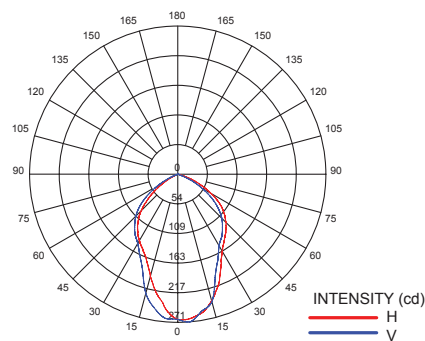
- 2-Year Warranty

**Applications**

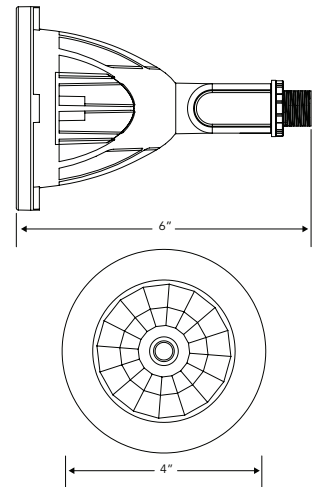
Ideal for security, accenting architecture, displays, and signs.



**Photometric**



**Dimensions**



Ordering Information						
UPC Code	Model #	Input Wattage	Lumens	Driver	Voltage	Housing Color
08653	FLL8	8	900	LED	120-277	Bronze
08654	FLL8-W	8	900	LED	120-277	White

Sample Ordering Information

**Howard FLL8  
LED Flood Light**  
8W  
900 Lumens  
4100K  
120-277 volts

