

2/15/2015

LED Flood Light

FLL30 Series

27W: 2400 Lumens

Project:	
Catalog#:	
Approved by:	

Features

- Energy Saving
- Comparable to 250W halogen using less energy.
- 50,000 hour LED lifespan for maintenance-free operation
- Heat dissipating fins for optimized thermal management.

Specifications

Housing

- Low-copper, aluminum die-cast housing and lens frame.
- Heat dissipating fins for optimized thermal management.
- Durable polyester powder coat finish
- Bronze or white housing

Lens/Refractor

- Tempered glass lens, thermal shock and impact resistant.

LEDs/LED Driver

- 27W
- Color temp: Neutral White (4100K)
- CRI: 80
- Min. Starting Temperature: -30°
- 2,400 Lumen Output
- 50,000 Hour Life
- Driver: 700 mA output, constant current supply
- Input voltage: 120-277V 50/60 Hz

Mounting

- 1/2" NPS aluminum die-cast swivel arm fits to standard junction box.
- Side bolt at arm knuckles allows for optics aiming.

Certifications

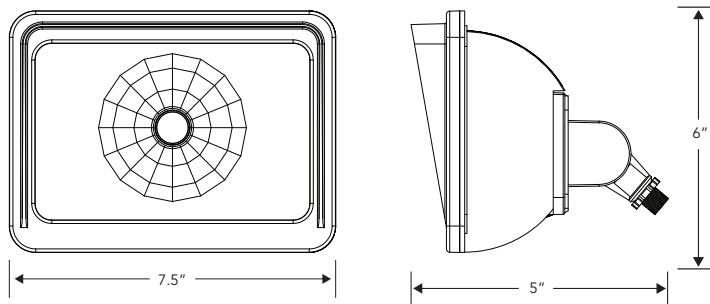
- UL/CUL Listed, suitable for Wet Locations
- LightingFacts®

Warranty

- 2-Year Warranty

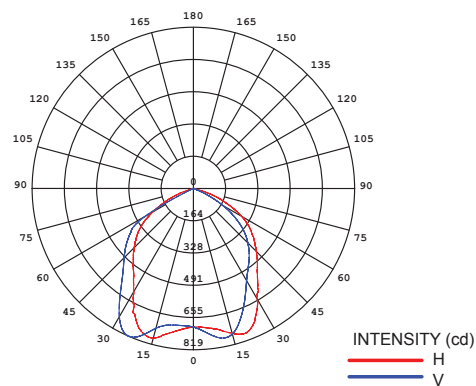
Applications

Ideal for security, building facades, displays and signs.



UPC Code	Model #	Input Wattage	Lumens	Driver	Voltage	Housing Color
08129	FLL30	27	2400	LED	120-277	Bronze
08136	FLL30-W	27	2400	LED	120-277	White

PHOTOMETRIC



Sample Ordering Number:

Howard FLL30
LED Flood Light
27W
2400 Lumens
4100K
120-277 volts

Specifications subject to change without notice.

