

3/22/2015

LIMITED QUANTITIES AVAILABLE

Small Wallpack - Polycarbonate Lens

HPS / 70 watts | PS / 50 - 70 watts

Project:	
Catalog#:	
Approved by:	

Applications

Ideal for lighting residential exteriors, entry ways, stairways, parking garages, and storage areas

Features

- Die-cast housing with conduit access on both sides (lamp included)
- Available in white or standard textured bronze finish with a polycarbonate lens
- Photocell adaptable
- UL listed for wet locations



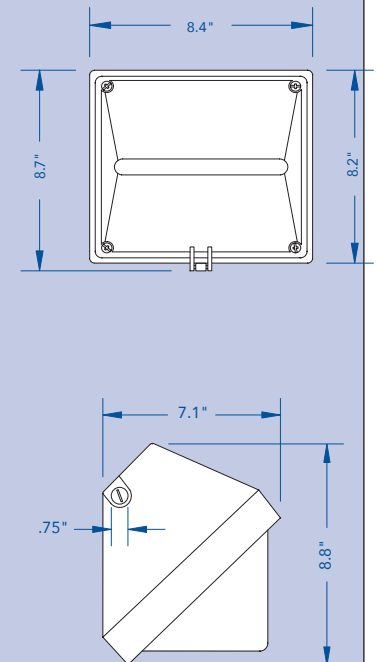
ORDERING INFORMATION

Catalog #	Watts	Volts †	Ballast	ANSI	Lamp Part #
SWPP-70-HPS-4T	70 HPS	4T	HX-HPF	S62	LU70/MED
SWPP-50-MH-D1	50 PSMH	120	HX-HPF	M110/E	MH50/U/MED
SWPP-70-MH-4T	70 PSMH	4T	HX-HPF	M98/E	MH70/U/MED

ACCESSORIES (sold separately)

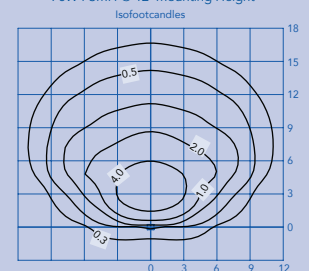
Catalog #	Description
WPMP	Die-cast wall pack mounting plate with locknut, O-ring, and weatherproof gasket
BPC120	Button photocell - 120v
BPC208/277	Button photocell - 208 or 277v

DIMENSIONS



PHOTOMETRICS

70W PSMH @ 12' Mounting Height



† 2T = 120, 277 volts (pre-wired to 277)
 MV = 120-277 Universal Input
 4T = 120, 208, 240, 277 volts (pre-wired to 277)
 5T = 120, 208, 240, 277, 480 volts (pre-wired to 277)
 120 = 120 volts
 480 = 480 volts
 Pre-wiring to any specific voltage is available upon request

Specifications subject to change without notice.

HID/CFL Fixtures