

3/22/2015

LIMITED QUANTITIES AVAILABLE

# Small Semi-Cutoff Wallpack

HPS / 70 watts

Project:	
Catalog#:	
Approved by:	

### Application

Ideal for lighting residential exteriors, entry ways, stairways, parking garages, and storage areas

### Features

- Die-cast housing with conduit access on both sides (lamp included)
- Available in white or standard textured bronze finish with a polycarbonate lens
- Photocell adaptable
- UL listed for wet locations



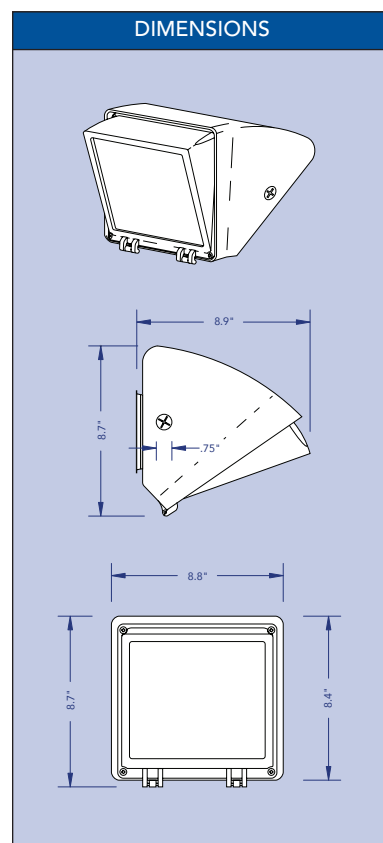
### ORDERING INFORMATION

Catalog #	Watts	Volts †	Ballast	ANSI	Lamp Part #
SSWP-70-HPS-120	70 HPS	120	R-NPF	S62	LU70/MED

### ACCESSORIES (sold separately)

Catalog #	Description
WPMP	Die-cast wall pack mounting plate with lock nut, o-ring, and weatherproof gasket
BPC120	Button photocell - 120v
BPC208/277	Button photocell - 208v or 277v

### DIMENSIONS



† 2T = 120, 277 volts (pre-wired to 277)  
 MV = 120-277 Universal Input  
 4T = 120, 208, 240, 277 volts (pre-wired to 277)  
 5T = 120, 208, 240, 277, 480 volts (pre-wired to 277)  
 120 = 120 volts  
 480 = 480 volts  
 Pre-wiring to any specific voltage is available upon request

Specifications subject to change without notice.

