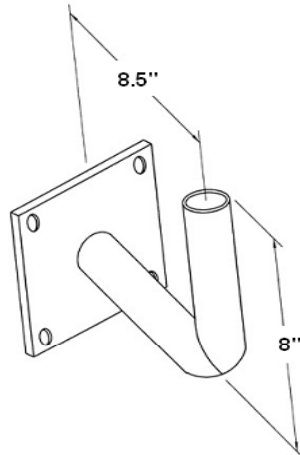


Flood Mounting Arm



Application: For use with ELFL, LFL, or MEDF series Floods equipped with ELFLSF or MFLSF slipfitter bracket and when mounted to walls or other flat surfaces.

Features:

- 2" pipe size arm with textured bronze finish.
- Extension: 8.5" horizontal / 8" vertical.
- 3/8" thick 7"x7" mounting plate.
- 5-5/8" mounting centers; 9/16" holes.
- Mounting hardware not included.
- Approx. bracket weight 11 lbs.

EPA max (80 mph zone) = 5.0 ft²

Max fixture weight (80 mph zone) = 105-lbs.

Catalog #	Description
RWB	Right Angle Wall Mounting Bracket

Consult factory for availability.

Specifications subject to change without notice.