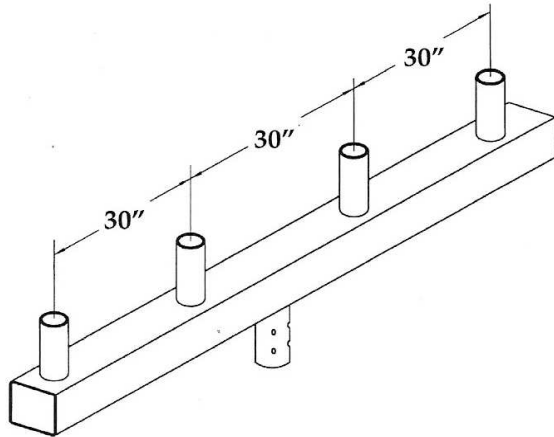


### Flood Mounting Arm

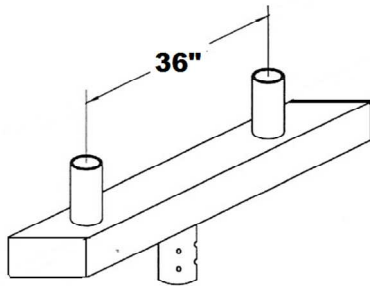


**Application:** For use with ELFL, LFL, or MEDF series Floods equipped with ELFLSF or MFLSF slipfitter bracket.

**Features:**  
 2" pipe size arm with textured bronze finish.  
 Extension: 90" inline  
 Center pole - 2-1/2" ID.  
 Includes (4) 3/8" Hex Cap Screws.  
 Approx. weight 44 lbs.

Catalog #	Description
MA-RSR4	4-fixture RSR pole top mounting bracket.

### Flood Mounting Arm



**Application:** For use with ELFL, LFL, or MEDF series Floods equipped with ELFLSF or MFLSF slipfitter bracket.

**Features:**  
 2" pipe size arm with textured bronze finish.  
 Extension: 36" inline  
 Center pole - 2-1/2" ID.  
 Includes (4) 3/8" Hex Cap Screws.  
 Approx. weight 20 lbs.

Catalog #	Description
MA-RSR2	2-fixture RSR pole top mounting bracket.

Consult factory for availability.

*Specifications subject to change without notice.*