

3/22/2017

LIMITED QUANTITIES AVAILABLE

Project:	
Catalog#:	
Approved by:	

High Bay Aluminum 22"

(Open Bottom Reflector)

HPS / 400 watts | PS / 250 watts | MH 250-400 watts

Applications

Ideal for lighting warehouses, industrial, and retail facilities

Features

- Die-cast housing with electrical box (lamp included)
- Adjustable accessory bracket



HID/CFL Fixtures

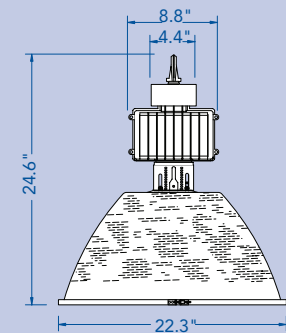
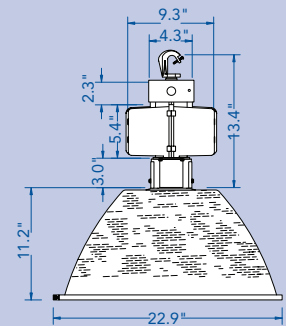
ORDERING INFORMATION

Catalog #	Watts	Volts †	Ballast	ANSI	Lamp Part #
HAL22O-400-HPS-5T	400 HPS	5T	CWA	S51	LU400
HAL22O-250-PS-4T	250 PSMH	4T	PS-CWA	M153/O	MP250/BU/PS
HAL22O-250-MH-4T	250 MH	4T	CWA	M57/O	MP250/BU
HAL22O-400-MH-4T	400 MH	4T	CWA	M59/O	MP400/BU

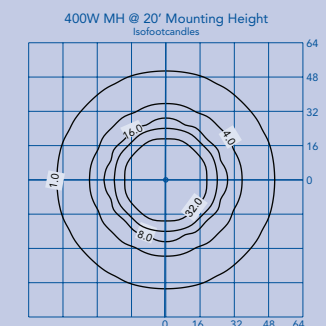
ACCESSORIES (sold separately)

Catalog #	Description
22WG	Wire guard with stainless steel construction
22FG	22" flat glass
22CB	22" clamp band
QR	120v quartz restrike with socket, bracket, and dual contact bayonet (250 watt halogen lamp included)
HL	250 watt halogen lamp (fits 120v restrike socket and bracket)
SC	Insulated 3' steel safety cable with clear vinyl coating (includes a steel eye on one end and a loop on the opposite end)
SSH2	Malleable screw-shut hook
SPMRP	Swivel pendant mount round plate with a ball that allows the fixture to hang straight (mount to standard electrical box; fits 3/4" conduit)

DIMENSIONS



PHOTOMETRICS



† 4T = 120, 208, 240, 277 volts (pre-wired to 277)
5T = 120, 208, 240, 277, 480 volts (pre-wired to 277)

Specifications subject to change without notice.

