

3/15/2017

LIMITED QUANTITIES AVAILABLE

# Dusk-to-Dawn Economical Commercial

MH / 100 watts

Project:	
Catalog#:	
Approved by:	

### Application

Ideal for street lighting, barnyards, parking lots, rural homes, public entrances, and security lighting.

### Features

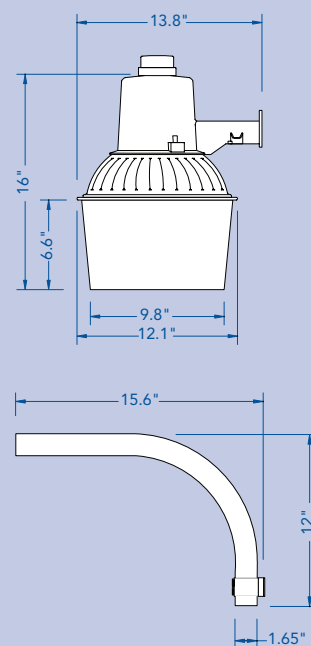
- Die-cast aluminum housing
- Includes UL listed 120V twist-lock photocell and photo control receptacle
- Aluminum reflector for maximum photometric efficiency
- 12" acrylic refractor
- 21" Mounting arm included
- 100W ED17 E26 Lamp included (Open rated socket and lamp)
- 120V 60Hz Ballast



### ORDERING INFORMATION

UPC Code	Catalog #	Watts	Volts	Ballast	ANSI	Lamp Part #
08234	DTDEC-100-MH-120	100	120	HX-NPF	M90	MP100/U/MED

### DIMENSIONS



Specifications subject to change without notice.