

3/22/2015

LIMITED QUANTITIES AVAILABLE

Bulkhead Cutoff

CF / 18 watts

Application

Ideal for non-hazardous industrial uses such as bridges, harbors, manufacturing sites, and tunnels

Features

- Die cast housing and frame
- White powdercoat finish
- Polycarbonate lens
- Lamps included

Project:	
Catalog#:	
Approved by:	

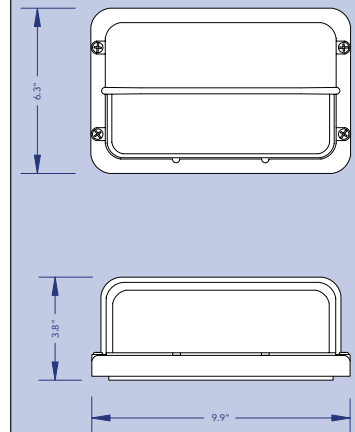
HID/CFL Fixtures



ORDERING INFORMATION

Catalog #	Watts	Volts †	Ballast	ANSI	Lamp Part #
BHC-18-CF-120	18 CF	120	CF	-	CF9S/827 (2)

DIMENSIONS



† 2T = 120, 277 volts (pre-wired to 277)
 MV = 120-277 Universal Input
 4T = 120, 208, 240, 277 volts (pre-wired to 277)
 5T = 120, 208, 240, 277, 480 volts (pre-wired to 277)
 120 = 120 volts
 480 = 480 volts
 Pre-wiring to any specific voltage is available upon request

Specifications subject to change without notice.

