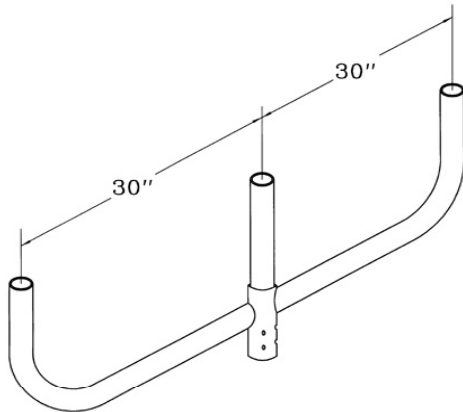


Flood Mounting Arm



Application: For use with ELFL, LFL, or MEDF series Floods equipped with ELFLSF or MFLSF slipfitter bracket.

Features:

- 2" pipe size arm with textured bronze finish.
- Extension: 60" horizontal / 13" vertical.
- Center pole - 2-1/2" ID.
- Includes (4) 3/8" Hex Cap Screws.
- Approx. weight 30 lbs.

Max EPA/fixture (80 mph zone) = 6.0 ft²
 Max weight/fixture (80 mph zone) = 110-lbs.

Catalog #	Description
BH3	3-fixture bullhorn mounting bracket.

Consult factory for availability.

Specifications subject to change without notice.