

9/8/2011

Emergency Light

**Wet Location Emergency Light
with MR-16 Halogen Lamp Heads**

Project:	
Catalog#:	
Approved by:	

Features

- Compact, low-profile design in neutral finish
- Fully-gasketed polycarbonate enclosure provides resistance to corrosive atmospheres and non-hazardous environments
- UL listed for wet locations & meets UL924, NFPA 101 Life Safety Code, NEC, OSHA, Local and State Codes

Electrical

- Dual 120V/277V voltage
- Charge rate/power "ON" LED indicator light and push-to-test switch for mandated code compliance testing
- LVD (low voltage disconnect) prevents battery from deep discharge
- 6V, 4.5Ah, sealed lead acid, maintenance-free, rechargeable battery
- Internal solid-state transfer switch automatically connects the internal battery to lamp heads for minimum 90-minute emergency illumination
- Fully automatic solid-state, two-rate charger initiates battery charging to recharge a discharged battery in 24 hours

Illumination

- Two adjustable, ultra-bright, round 6V, 7W MR-16 halogen lighting heads

Housing

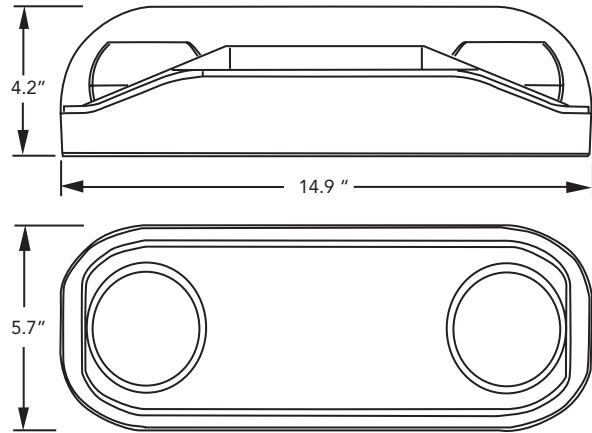
- Injection-molded, engineering-grade, V-0 flame retardant, high-impact, thermoplastic in neutral gray finish
- Fully-gasketed clear polycarbonate cover offers protection against wet, nonhazardous dust, and hose-down locations



Mounting

- Surface mount via easy connect back plate, which fits most standard junction boxes and snaps into place making internal electrical connections
- Conduit mount using knockouts on back plate

Dimensions



ORDERING INFORMATION

Catalog Number	Finish	Emergency Operation	Number of Heads	Lamp Wattage	Battery Voltage
HLRMR-16-WP	G - Gray	90+ minutes	2	2x 6V/7W	6V

example model# HLRMR-16-WP G

Specifications subject to change without notice.

