

7/7/2014

**New York Approved LED Exit/Emergency Combo  
With Incandescent Emergency Lamp Heads**

**Listings**

- Meets UL924, NFPA 101 Life Safety Code, NEC, OSHA, Local and State Codes.
- UL listed for damp locations. (20°C –50°C)

**Electrical**

- Dual 120/277 voltage.
- Charge rate/power "ON" LED indicator light and push-to-test switch for mandated code compliance testing.
- LVD (low voltage disconnect) prevents battery from deep discharge.
- 6V maintenance-free, rechargeable Sealed lead acid battery.
- Internal solid-state transfer switch automatically connects the internal battery to LED board/lamp heads for minimum 90-minute emergency illumination.
- Fully automatic solid-state, two-rate charger initiates battery charging to recharge a discharged battery in 24 hours.

Typical Performance	Red	
	Input Voltage	120
Input Current (A)	0.115	0.056
Input Power (W)	12.7	14.3

**Illumination**

- Two fully-adjustable 12 watt, glare-free lamp heads with field installed 3rd emergency lighting head included.
- Knockouts (K/Os) provided on sides of unit to relocate lamp heads.
- High-performance smooth metal reflector and glass lens for optimal light distribution.
- Ultra-bright, energy efficient, long-life Red LED.
- NY compliant 8" exit letters.

Project:	
Catalog#:	
Approved by:	



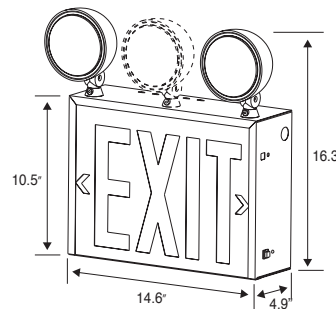
**Housing**

- Durable, powder-coated 20-gauge steel construction in white or black finish.
- Injection-molded, engineering-grade, high-impact, thermoplastic heads in white or black finish.
- Field removable steel knockout Chevron directional indicators on exit face.

**Mounting**

- Mounting hardware provided for back surface wall mount.
- Top and side K/Os provided for conduit feed applications.

**Dimensions**



**ORDERING INFORMATION**

Model Family #	Number of Faces	Letter Color	Housing Color	Heads
HL0245NY	1 - Single Face	R - Red	B - Black W - White	3 - Three Heads (Standard) 0 - No Heads

example model# HL0245NY1RW3

Specifications subject to change without notice.



Exit/Emergency Combo