

9/23/2013

Wet Location LED Exit Sign/Incandescent Combo

Features

- UL Listed and complies with latest codes and performance standards including UL924
- Corrosion and impact resistant thermoplastic housing
- Sealed and gasketed housing
- Long life, energy efficient LED technology in EXIT sign
- Field selectable chevron directional indicator punch-outs

Electrical

- Two sealed and gasketed 6V5.4W T5 wedge base weatherproof lighting heads with tempered glass lenses
- Dual 120V/277V voltage
- Maintenance-free, 6V sealed Ni-Cad, provides 90 minutes of emergency power. Listed for wet location applications (0° C - 40° C)
- Test switch and status indicator included

Illumination

- High-performance reflector and tempered glass lens for optimal light distribution.
- Ultra bright, energy efficient, long-lasting Red or Green LED (exit sign illumination)
- 6" EXIT letters

Housing

- Corrosion-resistant, thermoplastic housing
- Removable knockout directional indicators
- Sealed and gasketed housing
- Clear polycarbonate face plate with vinyl EXIT stencil
- Integral breather vent
- Single face
- Gray finish

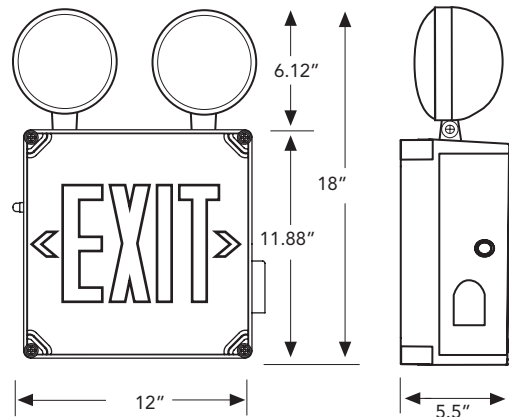
Project:	
Catalog#:	
Approved by:	



Mounting

- Surface mount
- Mounting screws and hardware included

Dimensions



ORDERING INFORMATION

Model Family #	Operation	Letter Color
HL0229	B - Battery Backup	R - Red G - Green

Example model# HL0229BR

Specifications subject to change without notice.



Exit/Emergency Combo