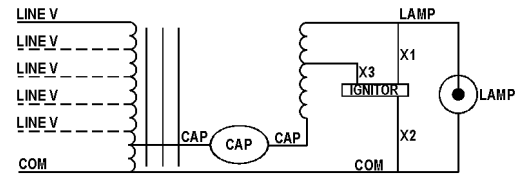
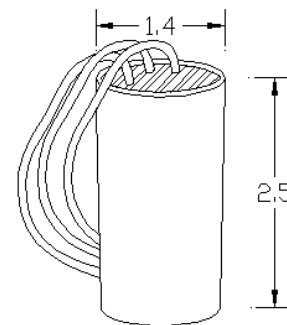
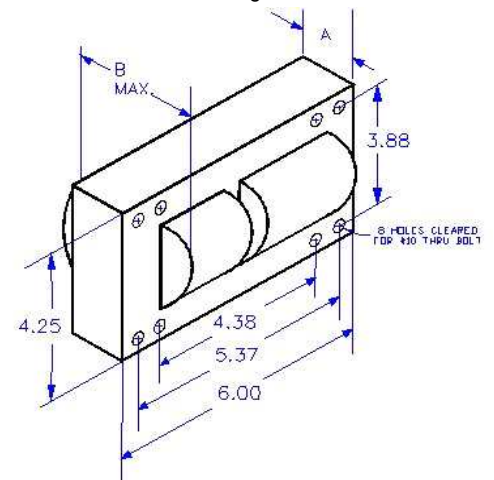


<b>Input Volts</b>		120	208	240	277	480
<b>Circuit Type</b>	CWA					
<b>Power Factor</b>	0.96					
<b>Regulation</b>						
Line Volts	± 10 %					
Lamp Watts	Within Trapezoid					
<b>Line Current (Amps)</b>						
Operating		9.3	5.2	4.6	3.9	2.3
Open Circuit		4.3	2.2	2.2	1.9	1.0
Starting		7.3	4.2	3.7	3.2	1.8
Recommended Fuse		25	15	15	10	7
<b>UL Temperature Ratings</b>						
Insulation Class	H (180°C)					
Coil Temperature Code	D	D	D	D	D	D
Benchtop Coil Rise Primary	< 90	< 90	< 90	< 90	< 90	< 90
Benchtop Coil Rise Secondary	< 90	< 90	< 90	< 90	< 90	< 90
<b>Input Watts</b>		1124	1072	1126	1133	1127
<b>NOM Open Circuit Volts</b>	435					
<b>Current Crest Factor</b>	1.55					
<b>Input Voltage at Lamp Dropout</b>		90	156	180	208	360
<b>Min Ambient Starting Temp.</b>	-40°F -40°C					
<b>High Potential Test (Volts)</b>						
1 Minute	2000					
1 Second	2500					
<b>Open Circuit Voltage Test (Volts)</b>						
Open Circuit Voltage	390 - 470					
Input Current	min	3.6	2.1	1.9	1.6	0.9
	max	5.5	3.2	2.8	2.4	1.4
<b>Short Circuit Current Test (Amps)</b>						
Secondary Current	6.1 - 7.5					
Input Current	min	5.4	3.2	2.8	2.5	1.4
	max	8.0	4.7	3.9	3.6	2.1
<b>Core and Coil Specifications</b>						
Dimension A"	4.0					
Dimension B"	6.1					
Weight (lbs.)	28.2					
Lead Lengths (in)	12					
<b>Capacitor Specifications</b>						
Microfarads	26					
Volts (min.)	525					
<b>Oval OIL Filled DRY Film</b>						
Case Size (in.)	1.75 Oval Not Available					
Height (in.)	4.87					
Temp Rating °C	90 (100 max)					
<b>Starter Specifications</b>						
Model Number	ST2002					
BTL	2					
Temp Rating °C	105					

Wiring Diagram Number  
1091-912000-018



Outside Dimensions Drawing



Rev. Date: 11/16/2009

Test Ref.: Verification

Specifications subject to change without notice.

Howard Industries, Inc. Ballast Products Division P.O. Box 1590 Laurel, MS 39441  
Phone: 1-800-956-3456 Fax: (601) 422-1652 www.howardlightingproducts.com