

8/22/2012

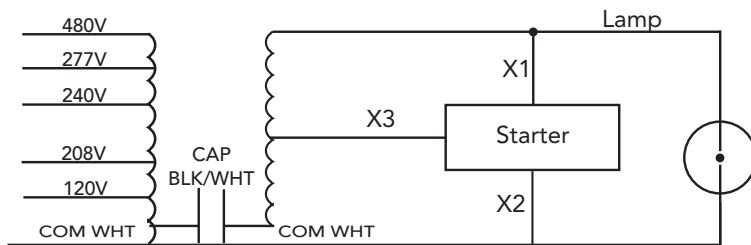
**250 Watt S50 60Hz
High Pressure Sodium**

Project:	
Catalog#:	
Approved by:	

Input Volts (60 hz)	120	208	240	277	480
Input Watts	292	292	292	292	292
Approx Line Current (Amps)*	2.5	1.5	1.3	1.1	0.6
Circuit Type	CWA				
ANSI	S50				
Insulation Class	Class H				
Power Factor	> 90%				
Regulation	Line Volts: ±10% Lamp Watts: ±10%				
Min. Ambient Starting Temp.	-40°F/-40°C				
High Potential Test (Volts)	1 Minute: 2000 1 Second: 2500				
Lead Lengths (inches)	12				
UL Temperature Ratings*	1029A				
Capacitor*	35.0/240v Min. Included in kit.				
Starter/Ignitor	ST2000. Included in kit				

* See Ballast Label for exact values and additional information

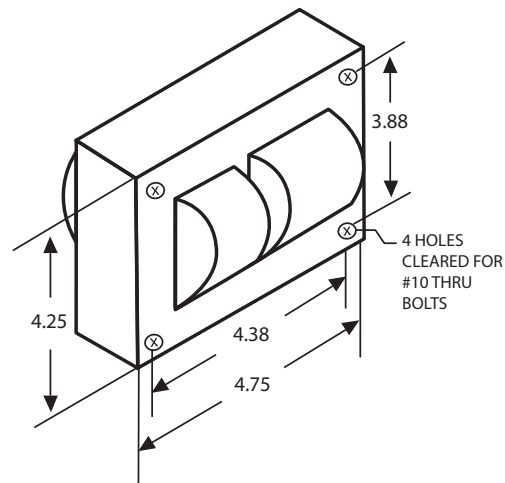
WIRING DIAGRAM



HID Ballast Kit

- Ballast
- Capacitor
- Starter
- Mounting Bracket

DIMENSIONAL DRAWING



Specifications subject to change without notice.



High Intensity Discharge Ballasts