

2/12/2013

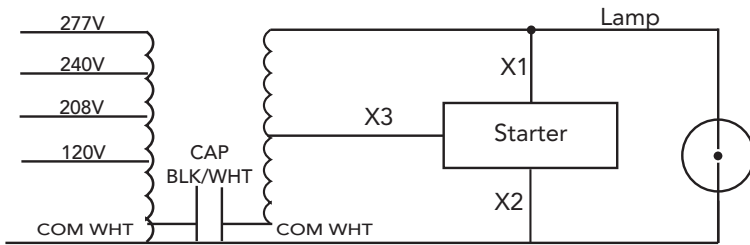
**400 Watt M135/M155 60Hz
Pulse Start Metal Halide**

Project:	
Catalog#:	
Approved by:	

Input Volts (60 hz)	120	208	240	277
Input Watts	450	450	450	450
Approx Line Current (Amps)*	4.0	2.25	2.0	1.7
Circuit Type	PSCWA			
ANSI	M135/M155			
Insulation Class	Class H			
Power Factor	> 90%			
Regulation	Line Volts: ±10% Lamp Watts: ±10%			
Min. Ambient Starting Temp.	-20°F/-30°C			
High Potential Test (Volts)	1 Minute: 1650 1 Second: 2000			
Lead Lengths (inches)	12			
UL Temperature Ratings*	1029D			
Capacitor*	26.0/360V Min. Included in kit			
Starter/Ignitor	ST1000/ST1001. Included in kit			

* See Ballast Label for exact values and additional information

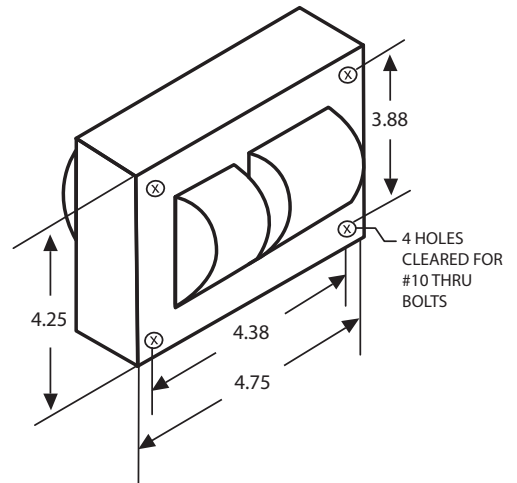
WIRING DIAGRAM



HID Ballast Kit

- Ballast
- Capacitor
- Starter
- Mounting Bracket

DIMENSIONAL DRAWING



Specifications subject to change without notice.

