

9/29/2017

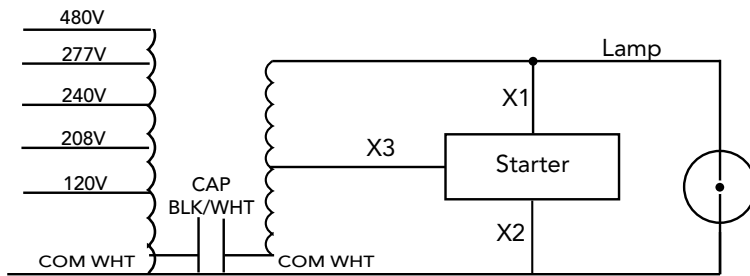
**320 Watt M132/M154 60Hz
Pulse Start Metal Halide**

Project:	
Catalog#:	
Approved by:	

Input Volts (60 hz)	120	208	240	277	480
Input Watts	357	357	357	357	357
Approx Line Current (Amps)*	3.1	1.8	1.6	1.4	0.8
Circuit Type	PS-CWA				
ANSI	M132/M154				
Insulation Class	Class H				
Power Factor	> 90%				
Regulation	Line Volts: ±10% Lamp Watts: ±10%				
Min. Ambient Starting Temp.	-20°F/-30°C				
High Potential Test (Volts)	1 Minute: 2000 1 Second: 2400				
Lead Lengths (inches)	12				
UL Temperature Ratings*	1029 C				
Capacitor*	Included in kit				
Starter/Ignitor	ST1001. Included in kit				

* See Ballast Label for exact values and additional information

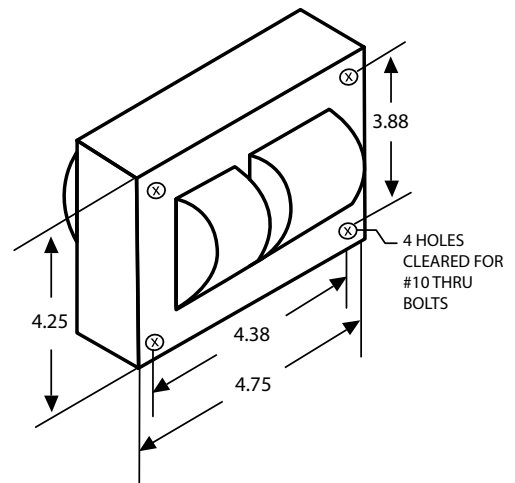
WIRING DIAGRAM



HID Ballast Kit

- Ballast
- Capacitor
- Starter
- Mounting Bracket

DIMENSIONAL DRAWING



Specifications subject to change without notice.



High Intensity Discharge Ballasts