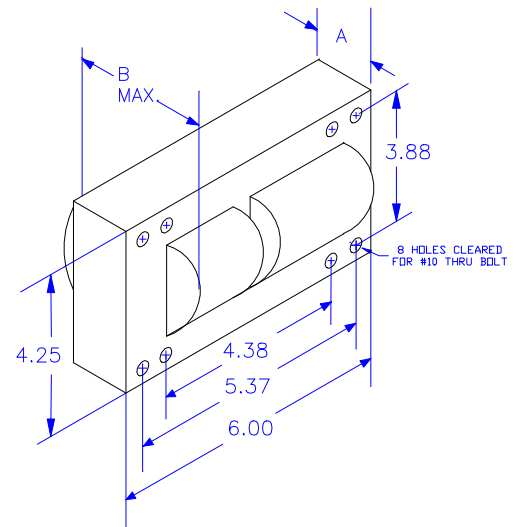
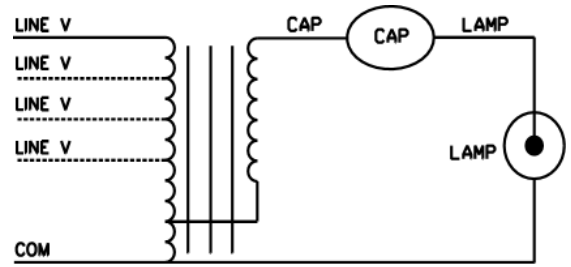


Input Volts		120	208	240	277
Circuit Type	CWA				
Power Factor	> 90%				
Regulation					
Line Volts	± 10 %				
Lamp Watts	- 10 % + 8 %				
Line Current (Amps)					
Operating		13.5	7.65	6.56	5.87
Open Circuit		5.2	3.1	2.7	2.3
Starting		10.1	5.8	5.1	4.4
Recommended Fuse		30	25	20	15
UL Temperature Ratings					
Insulation Class	H (180°C)				
Coil Temperature Code	E	A	A	A	
Benchtop Coil Rise Primary	<105	<105	<105	<105	
Benchtop Coil Rise Secondary	<105	<105	<105	<105	
Input Watts		1602	1602	1602	1602
NOM Open Circuit Volts	405				
Current Crest Factor	1.6				
Input Voltage at Lamp Dropout		60	104	120	139
Min Ambient Starting Temp.	-20F -30°C				
High Potential Test (Volts)					
1 Minute	2000				
1 Second	2400				
Open Circuit Voltage Test (Volts)					
Open Circuit Voltage	370 - 460				
Input Current	min	2.5	1.5	1.3	1.2
	max	7.5	4.5	3.9	3.6
Short Circuit Current Test (Amps)					
Secondary Current	6.2 - 9.0				
Input Current	min	5.2	3.0	2.5	2.2
	max	15.6	9.0	7.5	6.6
Core and Coil Specifications					
Dimension A"	4.1				
Dimension B"	6.3				
Weight (lbs.)	29				
Lead Lengths (in)	12				
Capacitor Specifications					
Microfarads	32				
Volts (min.)	525				
	Oval OIL Filled DRY Film				
Case Size (in.)	1.75				
Height (in.)	5.3				
Temp Rating °C	90				
Starter Specifications					
Model Number	NONE				
	BTL				
Temp Rating °C					

Wiring Diagram



Rev. Date: 8/23/2011

Test Ref.: Verification

Specifications subject to change without notice.

Howard Industries, Inc. Ballast Products Division P.O. Box 1590 Laurel, MS 39441

Phone: 1-800-956-3456 Fax: (601) 422-1652

www.Howard-Lighting.com