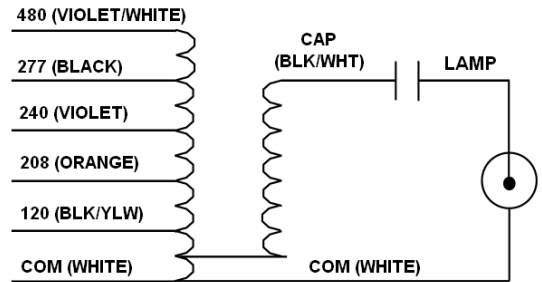
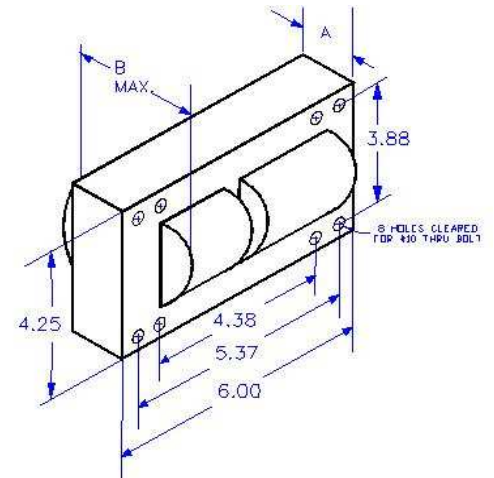


| | | | | | | |
|--|---------------------------------|-------|-------|-------|-------|-------|
| Input Volts | | 120 | 208 | 240 | 277 | 480 |
| Circuit Type | CWA | | | | | |
| Power Factor | > 90% | | | | | |
| Regulation | | | | | | |
| Line Volts | ±10 | | | | | |
| Lamp Watts | - 10 % + 10 % | | | | | |
| Line Current (Amps) | | | | | | |
| Operating | | 9.2 | 5.3 | 4.6 | 4.0 | 2.3 |
| Open Circuit | | 3.9 | 2.2 | 2.0 | 1.7 | 1.0 |
| Starting | | 8.5 | 4.9 | 4.2 | 3.7 | 2.1 |
| Recommended Fuse | | 25 | 15 | 15 | 9 | 6 |
| UL Temperature Ratings | | | | | | |
| Insulation Class | H(180°C) | | | | | |
| Coil Temperature Code | D | D | D | D | D | D |
| Benchtop Coil Rise Primary | < 115 | < 115 | < 115 | < 115 | < 115 | < 115 |
| Benchtop Coil Rise Secondary | < 115 | < 115 | < 115 | < 115 | < 115 | < 115 |
| Input Watts | | 1100 | 1100 | 1100 | 1100 | 1100 |
| NOM Open Circuit Volts | 420 | | | | | |
| Current Crest Factor | 1.6 | | | | | |
| Input Voltage at Lamp Dropout | | 68 | 120 | 131 | 185 | 294 |
| Min Ambient Starting Temp. | -20F -30°C | | | | | |
| High Potential Test (Volts) | | | | | | |
| 1 Minute | 2000 | | | | | |
| 1 Second | 2400 | | | | | |
| Open Circuit Voltage Test (Volts) | | | | | | |
| Open Circuit Voltage | 340 - 470 | | | | | |
| Input Current | min | 2.9 | 1.7 | 1.5 | 1.3 | 0.8 |
| | max | 4.8 | 2.8 | 2.5 | 2.1 | 1.3 |
| Short Circuit Current Test (Amps) | | | | | | |
| Secondary Current | 4.2 - 6.5 | | | | | |
| Input Current | min | 6.4 | 3.7 | 2.8 | 2.8 | 1.6 |
| | max | 10.6 | 6.1 | 4.6 | 4.6 | 2.6 |
| Core and Coil Specifications | | | | | | |
| Dimension A" | 3.2 | | | | | |
| Dimension B" | 5.2 | | | | | |
| Weight (lbs.) | 21 | | | | | |
| Lead Lengths (in) | 12 | | | | | |
| Capacitor Specifications | | | | | | |
| Microfarads | 24 | | | | | |
| Volts (min.) | 480 | | | | | |
| | Oval OIL Filled DRY Film | | | | | |
| Case Size (in.) | 1.75 Not Available | | | | | |
| Height (in.) | 3.88 | | | | | |
| Temp Rating °C | 90 | | | | | |
| Starter Specifications | | | | | | |
| Model Number | Not Used | | | | | |
| | BTL | | | | | |
| Temp Rating °C | | | | | | |

Wiring Diagram Number
1091-912000-018



Outside Dimensions Drawing



Rev. Date: 7/27/2009

Test Ref.: Validation

Specifications subject to change without notice.

Howard Industries, Inc. Ballast Products Division P.O. Box 1590 Laurel, MS 39441
Phone: 1-800-956-3456 Fax: (601) 422-1652 www.howardlightingproducts.com