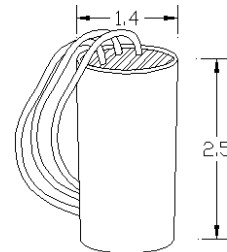
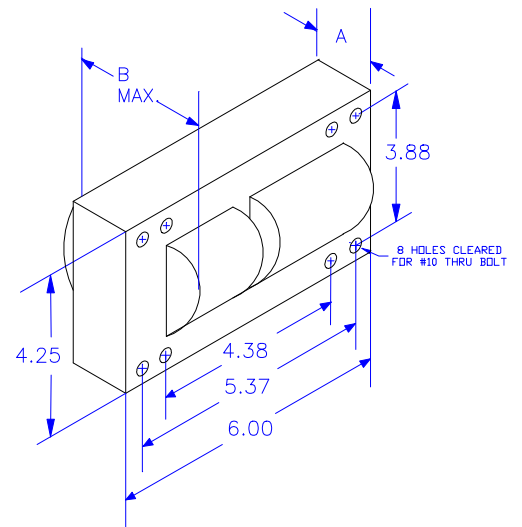
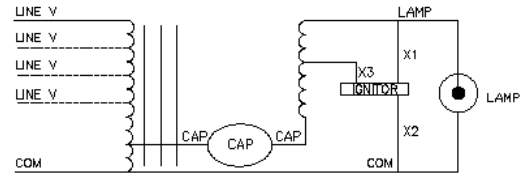


<b>Input Volts</b>		120	208	240	277
<b>Circuit Type</b>	PS-CWA				
<b>Power Factor</b>	0.99				
<b>Regulation</b>					
Line Volts	± 10 %				
Lamp Watts	- 10% + 10 %				
<b>Line Current (Amps)</b>					
Operating		9.2	5.3	4.6	4.0
Open Circuit		3.9	2.3	2.0	1.7
Starting		7.2	4.2	3.6	3.2
Recommended Fuse		20	15	10	10
<b>UL Temperature Ratings</b>					
Insulation Class	H (180°C)				
Coil Temperature Code	C	C	C	C	C
Benchtop Coil Rise Primary	< 85	< 85	< 85	< 85	< 85
Benchtop Coil Rise Secondary	< 85	< 85	< 85	< 85	< 85
<b>Input Watts</b>		1077	1077	1077	1077
<b>NOM Open Circuit Volts</b>	404				
<b>Current Crest Factor</b>	1.61				
<b>Input Voltage at Lamp Dropout</b>		71	143	153	192
<b>Min Ambient Starting Temp.</b>	-20F -30°C				
<b>High Potential Test (Volts)</b>					
1 Minute	2000				
1 Second	2400				
<b>Open Circuit Voltage Test (Volts)</b>					
Open Circuit Voltage	340 - 440				
Input Current	min	2.8	1.7	1.5	1.4
	max	8.7	5.1	4.5	4.1
<b>Short Circuit Current Test (Amps)</b>					
Secondary Current	4.2 - 6.5				
Input Current	min	2.6	1.5	1.3	1.1
	max	7.8	4.5	3.9	3.3
<b>Core and Coil Specifications</b>					
Dimension A"	3.00				
Dimension B"	4.9				
Weight (lbs.)	21.2				
Lead Lengths (in)	12				
<b>Capacitor Specifications</b>					
Microfarads	24				
Volts (min.)	480				
	<b>Oval OIL Filled DRY Film</b>				
Case Size (in.)	1.75 Not Available				
Height (in.)	3.88				
Temp Rating °C	90				
<b>Starter Specifications</b>					
Model Number	ST2002				
BTL	2				
Temp Rating °C	105				

Wiring Diagram



Starter Case Drawing

Rev. Date: 12/22/2009

Test Ref.: Verification

Specifications subject to change without notice.

Howard Industries, Inc. Ballast Products Division P.O. Box 1590 Laurel, MS 39441

Phone: 1-800-956-3456 Fax: (601) 422-1652

www.Howard-Lighting.com