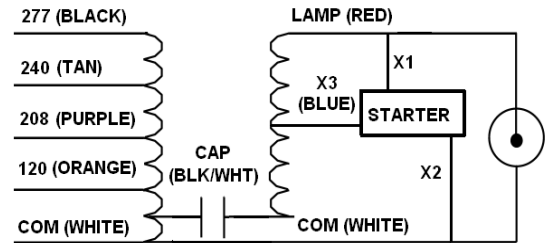


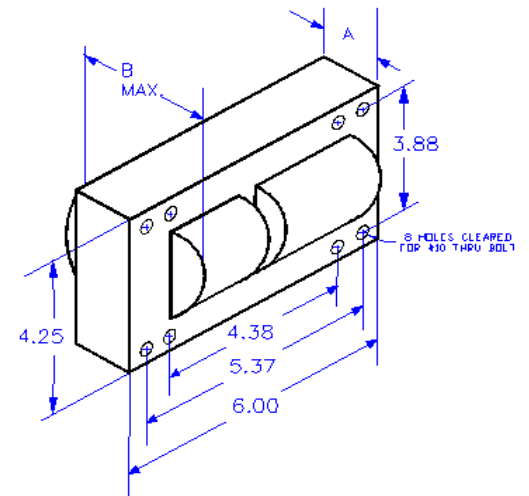
Input Volts		120	208	240	277
Circuit Type	PS-CWA				
Power Factor	> 90%				
Regulation					
Line Volts	+ / - 10%				
Lamp Watts	+10% -10%				
Line Current (Amps)					
Operating		6.80	4.00	3.40	3.00
Open Circuit		4.60	2.60	2.30	2.00
Starting		4.80	2.80	2.40	2.10
Recommended Fuse		20	10	10	8
UL Temperature Ratings					
Insulation Class	H(180C)				
Coil Temperature Code		B	C	B	B
Benchtop Coil Rise		< 80C	< 85C	< 80C	< 80C
Input Watts		815	815	815	815
Nominal Open Circuit Volts	370				
Current Crest Factor	1.6				
Input Voltage at Lamp Dropout		60	105	120	140
Min. Ambient Starting Temp.	-20F -30C				
High Potential Test (Volts)					
1 Minute	2000				
1 Second	2500				
Open Circuit Voltage Test (Volts)					
Open Circuit Voltage	335 - 405				
Input Current	min	3.5	2.0	1.7	1.5
	max	5.8	3.3	2.9	2.5
Short Circuit Current Test (Amps)					
Secondary Current	4.30 - 5.30				
Input Current	min	3.7	2.0	1.9	1.6
	max	5.5	3.1	2.8	2.4
Core and Coil Specifications					
Dimension "A"	2.3				
Dimension "B"	4.3				
Weight (lbs.)	18.0				
Lead Lengths (in.)	12				
Capacitor Specifications					
Microfarads	24				
Volts (min.)	480				
	Oval OIL				
Case Size (in.)	2 X 3				
Height (in.)	4				
Temp Rating - C	100				
Starter Specifications					
HI Model No.	ST1003 / BVS042				
BTL	2				
Temp Rating (C)	105C				

Wiring Diagram



Starter BVS042: X1- Red/White; X2 - Yellow
Starter ST1003: X1- Red; X2 - White

Dimensional Diagram



Regulatory



RoHS

Rev. Date: 3/2/2012
Pt. Ref.: 1093-910365-XXX

Test Ref.: Validation

Specifications subject to change without notice.