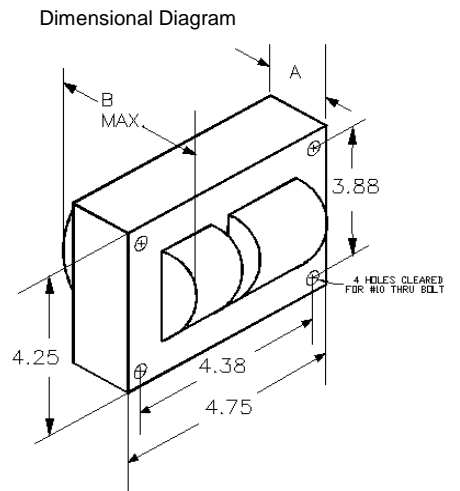
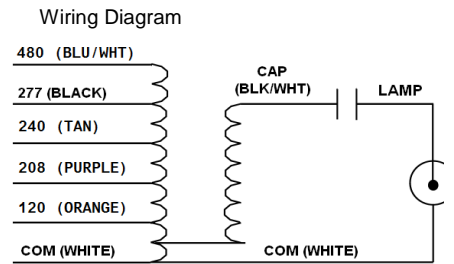


Input Volts		120	208	240	277	480
<b>Circuit Type</b>	CWA					
<b>Power Factor</b>	> 90%					
<b>Regulation</b>						
Line Volts	+ / - 10%					
Lamp Watts	+9% -9%					
<b>Line Current (Amps)</b>						
Operating		4.0	2.40	2.00	1.70	1.00
Open Circuit		2.15	1.45	1.10	0.95	0.55
Starting		3.45	2.05	1.75	1.50	0.90
Recommended Fuse		10	6	5	4	3
<b>UL Temperature Ratings</b>						
Insulation Class	H(180C)					
Coil Temperature Code		C	E	E	D	E
Benchtop Coil Rise		< 85C	< 95C	< 95C	< 90C	< 95C
<b>Input Watts</b>		457	457	457	457	457
<b>Nominal Open Circuit Volts</b>	305					
<b>Current Crest Factor</b>	1.65					
<b>Input Voltage at Lamp Dropout</b>		65	105	125	140	240
<b>Min. Ambient Starting Temp.</b>	-20F -30C					
<b>High Potential Test (Volts)</b>						
1 Minute	2000					
1 Second	2400					
<b>Open Circuit Volatge Test (Volts)</b>						
Open Circuit Voltage	275 - 335					
Input Current	min	1.6	1.1	0.85	0.7	0.4
	max	2.7	1.8	1.4	1.2	0.7
<b>Short Circuit Current Test (Amps)</b>						
Secondary Current	3.5 - 4.2					
Input Current	min	2.70	1.60	1.40	1.20	0.70
	max	4.10	2.40	2.10	1.80	1.05
<b>Core and Coil Specifications</b>						
Dimension "A"	2.15					
Dimension "B"	4.2					
Weight (lbs.)	11					
Lead Lengths (in.)	12					
<b>Capacitor Specifications</b>						
Microfarads	24					
Volts (min.)	365					
	<b>Round DRY</b>					
Case Size (in.)	1.8					
Height (in.)	4.7					
Temp Rating - C	100					
<b>Starter Specifications</b>						
HI Model No.	NOT USED					
BTL	N/A					
Temp Rating ( C)	N/A					



Rev. Date: 10/1/2012  
Pt. Ref.: 1093-910373-XXX

Test Ref.: Validation

Specifications subject to change without notice.

Howard Lighting Products P.O. Box 1590 Laurel, MS 39441  
Phone: 1-800-956-3456 Fax: (601) 422-1652 [www.howardlightingproducts.com](http://www.howardlightingproducts.com)