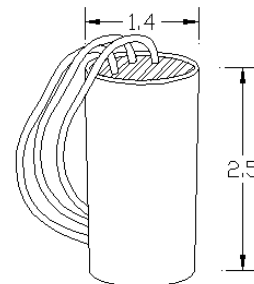
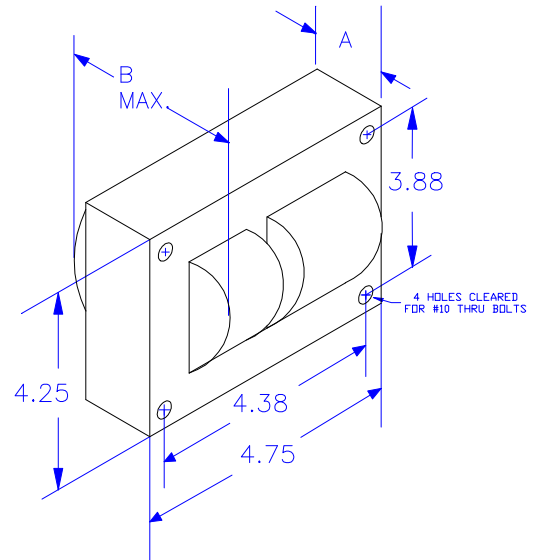
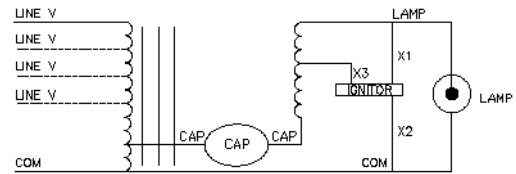


| | | | | | |
|--|---------------------------------|-------|-------|-------|-------|
| Input Volts | | 120 | 208 | 240 | 277 |
| Circuit Type | PS-CWA | | | | |
| Power Factor | > 90% | | | | |
| Regulation | | | | | |
| Line Volts | ± 10 % | | | | |
| Lamp Watts | - 10 % + 10 % | | | | |
| Line Current (Amps) | | | | | |
| Operating | | 3.5 | 2.0 | 1.8 | 1.6 |
| Open Circuit | | 1.9 | 1.1 | 1.0 | 0.9 |
| Starting | | 2.6 | 1.5 | 1.3 | 1.1 |
| Recommended Fuse | | 10 | 6 | 6 | 5 |
| UL Temperature Ratings | | | | | |
| Insulation Class | H (180°C) | | | | |
| Coil Temperature Code | A | A | A | A | A |
| Benchtop Coil Rise Primary | < 100 | < 100 | < 100 | < 100 | < 100 |
| Benchtop Coil Rise Secondary | < 100 | < 100 | < 100 | < 100 | < 100 |
| Input Watts | | 397 | 397 | 397 | 397 |
| NOM Open Circuit Volts | 275 | | | | |
| Current Crest Factor | 1.65 | | | | |
| Input Voltage at Lamp Dropout | | 60 | 104 | 120 | 138 |
| Min Ambient Starting Temp. | -20F -30°C | | | | |
| High Potential Test (Volts) | | | | | |
| 1 Minute | 1650 | | | | |
| 1 Second | 2000 | | | | |
| Open Circuit Voltage Test (Volts) | | | | | |
| Open Circuit Voltage | 250 - 310 | | | | |
| Input Current | min | 1.5 | 0.8 | 0.6 | 0.5 |
| | max | 2.4 | 1.4 | 1.1 | 1.1 |
| Short Circuit Current Test (Amps) | | | | | |
| Secondary Current | 2.8 - 4.2 | | | | |
| Input Current | min | 2.0 | 1.1 | 0.9 | 0.8 |
| | max | 3.3 | 1.9 | 1.6 | 1.4 |
| Core and Coil Specifications | | | | | |
| Dimension A" | 2.3 | | | | |
| Dimension B" | 4.2 | | | | |
| Weight (lbs.) | 12 | | | | |
| Lead Lengths (in) | 12 | | | | |
| Capacitor Specifications | | | | | |
| Microfarads | 24 | | | | |
| Volts (min.) | 400 | | | | |
| | Oval OIL Filled DRY Film | | | | |
| Case Size (in.) | 1.75 1.8 | | | | |
| Height (in.) | 3.4 4.7 | | | | |
| Temp Rating °C | 90 100 | | | | |
| Starter Specifications | | | | | |
| Model Number | ST1000, ST1001 | | | | |
| | BTL 20, 10 | | | | |
| Temp Rating °C | 105 | | | | |

Wiring Diagram



Rev. Date: 8/11/2009

Test Ref.: Validation

Specifications subject to change without notice.

Howard Industries, Inc. Ballast Products Division P.O. Box 1590 Laurel, MS 39441
Phone: 1-800-956-3456 Fax: (601) 422-1652 www.howardlightingproducts.com