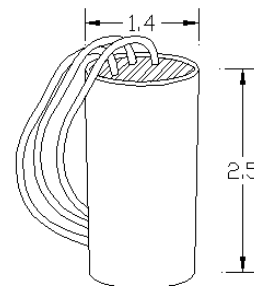
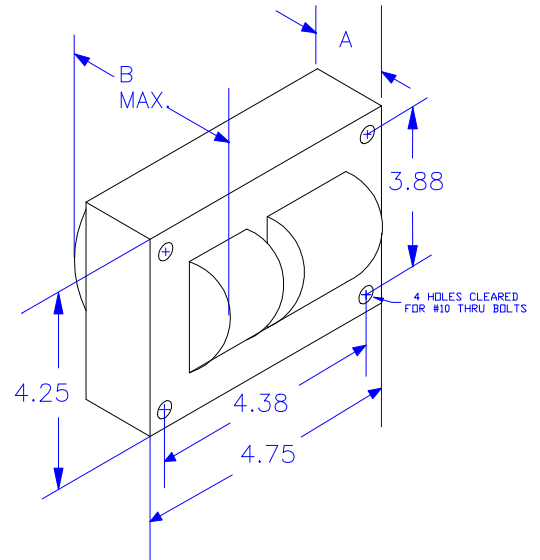
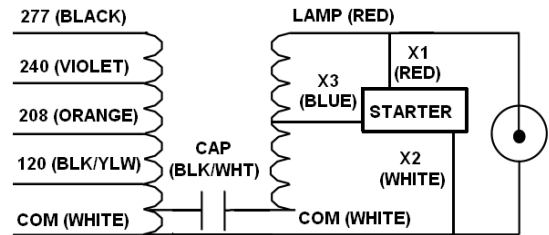


<b>Input Volts</b>		120	208	240	277
<b>Circuit Type</b>	PS-CWA				
<b>Power Factor</b>	> 90%				
<b>Regulation</b>					
Line Volts	± 10 %				
Lamp Watts	- 10 % + 10 %				
<b>Line Current (Amps)</b>					
Operating		3.1	1.8	1.6	1.4
Open Circuit		1.8	1.1	0.9	0.8
Starting		2.1	1.2	1.0	0.9
Recommended Fuse		9	6	5	4
<b>UL Temperature Ratings</b>					
Insulation Class	H (180°C)				
Coil Temperature Code	A	A	A	A	A
Benchtop Coil Rise Primary	<75	<75	<75	<75	<75
Benchtop Coil Rise Secondary	<75	<75	<75	<75	<75
<b>Input Watts</b>		363	363	363	363
<b>NOM Open Circuit Volts</b>	280				
<b>Current Crest Factor</b>	1.63				
<b>Input Voltage at Lamp Dropout</b>		60	104	120	138
<b>Min Ambient Starting Temp.</b>	-20F -30°C				
<b>High Potential Test (Volts)</b>					
1 Minute	1650				
1 Second	2000				
<b>Open Circuit Voltage Test (Volts)</b>					
Open Circuit Voltage	250 - 310				
Input Current	min	1.4	0.8	0.6	0.5
	max	2.3	1.4	1.0	1.0
<b>Short Circuit Current Test (Amps)</b>					
Secondary Current	2.6 - 4.0				
Input Current	min	1.6	0.9	0.7	0.6
	max	2.7	1.6	1.2	1.2
<b>Core and Coil Specifications</b>					
Dimension A"	2.18				
Dimension B"	4.4				
Weight (lbs.)	11				
Lead Lengths (in)	12				
<b>Capacitor Specifications</b>					
Microfarads	21				
Volts (min.)	360				
	<b>Oval OIL Filled DRY Film</b>				
Case Size (in.)	1.75 1.8				
Height (in.)	3.4 4.7				
Temp Rating °C	90 100				
<b>Starter Specifications</b>					
Model Number	ST1000, ST1001				
	BTL 10				
Temp Rating °C	105				

Wiring Diagram



Rev. Date: 11/03/2010

Test Ref.: Validation

**Specifications subject to change without notice.**

**Howard Industries, Inc. Ballast Products Division P.O. Box 1590 Laurel, MS 39441**  
**Phone: 1-800-956-3456 Fax: (601) 422-1652 www.howardlightingproducts.com**