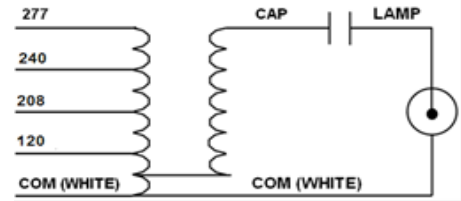
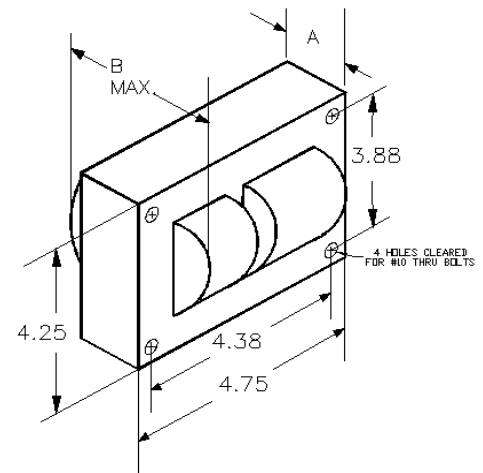


Input Volts		120	208	240	277
<b>Circuit Type</b>	CWA				
<b>Power Factor</b>	> 90%				
<b>Regulation</b>					
Line Volts	+ / - 10%				
Lamp Watts	+10% -10%				
<b>Line Current (Amps)</b>					
Operating		2.42	1.42	1.24	1.05
Open Circuit		2.20	1.28	1.11	0.97
Starting		1.81	1.05	0.91	0.80
Recommended Fuse		5	4	3	2
<b>UL Temperature Ratings</b>					
Insulation Class	H(180C)				
Coil Temperature Code		C	C	C	C
Benchtop Coil Rise		< 85C	< 85C	< 85C	< 85C
<b>Input Watts</b>		285	285	285	285
<b>Nominal Open Circuit Volts</b>	311				
<b>Current Crest Factor</b>	1.65				
<b>Input Voltage at Lamp Dropout</b>		65	105	125	140
<b>Min. Ambient Starting Temp.</b>	-20F -30C				
<b>High Potential Test (Volts)</b>					
1 Minute	1650				
1 Second	2000				
<b>Open Circuit Volatge Test (Volts)</b>					
Open Circuit Voltage	250 - 360				
Input Current	min	1.65	0.96	0.83	0.73
	max	2.75	1.6	1.39	1.21
<b>Short Circuit Current Test (Amps)</b>					
Secondary Current	2.0 - 2.9				
Input Current	min	1.40	0.80	0.70	0.60
	max	2.30	1.30	1.10	1.00
<b>Core and Coil Specifications</b>					
Dimension "A"	1.65				
Dimension "B"	3.8				
Weight (lbs.)	8.4				
Lead Lengths (in.)	12				
<b>Capacitor Specifications</b>					
Microfarads	15				
Volts (min.)	400				
	<b>Round DRY</b>				
Case Size (in.)	1.9				
Height (in.)	4.2				
Temp Rating - C	100				
<b>Starter Specifications</b>					
HI Model No.	NOT USED				
BTL	N/A				
Temp Rating ( C)	N/A				

Wiring Diagram



Dimensional Diagram



Regulatory



Rev. Date: 10/12/2013  
Pt. Ref.: 1093-910383-XXX

Test Ref.: Validation

Specifications subject to change without notice.

Howard Lighting Products  
Phone: 1-800-956-3456

P.O. Box 1590  
Fax: (601) 422-1652

Laurel, MS 39441  
[www.howardlightingproducts.com](http://www.howardlightingproducts.com)