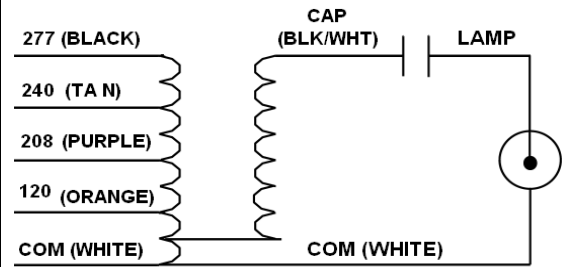
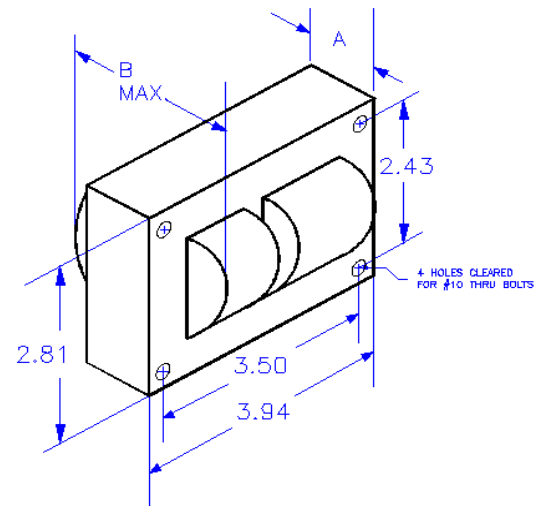


Input Volts		120	208	240	277
Circuit Type	CWA				
Power Factor	> 90%				
Regulation					
Line Volts	+ / - 10%				
Lamp Watts	+10% -10%				
Line Current (Amps)					
Operating		1.85	1.10	0.90	0.80
Open Circuit		1.45	0.90	0.75	0.70
Starting		1.40	0.80	0.70	0.65
Recommended Fuse		5	3	3	3
UL Temperature Ratings					
Insulation Class	H(180C)				
Coil Temperature Code		B	C	C	B
Benchtop Coil Rise		< 80C	< 85C	< 85C	< 80C
Input Watts		215	215	215	215
Nominal Open Circuit Volts	320				
Current Crest Factor	1.65				
Input Voltage at Lamp Dropout		60	104	120	135
Min. Ambient Starting Temp.	-20F -30C				
High Potential Test (Volts)					
1 Minute	1650				
1 Second	2000				
Open Circuit Voltage Test (Volts)					
Open Circuit Voltage	290 - 360				
Input Current	min	1.1	0.7	0.5	0.5
	max	1.8	1.1	0.9	0.9
Short Circuit Current Test (Amps)					
Secondary Current	1.55 - 1.95				
Input Current	min	1.1	0.6	0.5	0.5
	max	1.7	1.0	0.9	0.7
Core and Coil Specifications					
Dimension "A"	2.4				
Dimension "B"	3.8				
Weight (lbs.)	7				
Lead Lengths (in.)	12				
Capacitor Specifications					
Microfarads	10				
Volts (min.)	400				
	Round DRY				
Case Size (in.)	1.6				
Height (in.)	3.7				
Temp Rating - C	100				
Starter Specifications					
HI Model No.	NOT USED				
BTL	N/A				
Temp Rating (C)	N/A				

Wiring Diagram



Dimensional Diagram



Regulatory



RoHS

Rev. Date: 2/9/2012
Pt. Ref.: 1093-910363-XXX

Test Ref.: Validation

Specifications subject to change without notice.