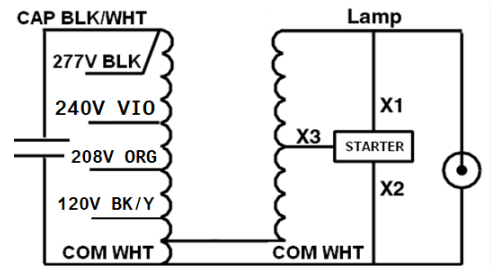


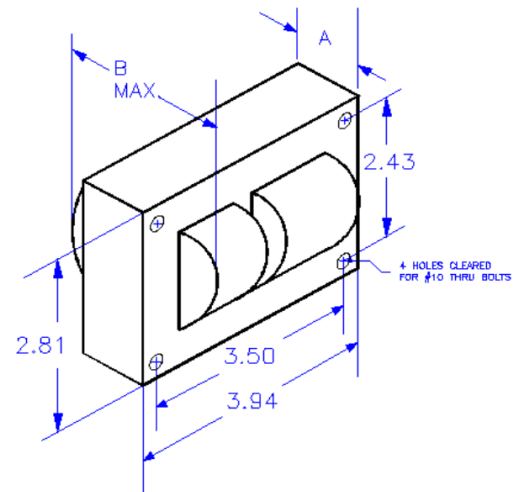
Input Volts		120	208	240	277
Circuit Type	HX-HPF				
Power Factor	> 90%				
Regulation					
Line Volts	+ / - 5%				
Lamp Watts	- 10% +10%				
Line Current (Amps)					
Operating		1.6	1.0	0.9	0.8
Open Circuit		3.4	2.0	1.7	1.5
Starting		1.9	1.2	1.0	0.9
Recommended Fuse		10	5	5	4
UL Temperature Ratings					
Insulation Class	H(180C)				
Coil Temperature Code		B	B	A	A
Benchtop Coil Rise		< 80C	< 80C	< 75C	< 75C
Input Watts		182	182	182	182
Nominal Open Circuit Volts	255				
Current Crest Factor	1.5				
Input Voltage at Lamp Dropout		80	130	150	175
Min. Ambient Starting Temp.	-20F -30C				
High Potential Test (Volts)					
1 Minute	1600				
1 Second	1900				
Open Circuit Voltage Test (Volts)					
Open Circuit Voltage	235 - 290				
Input Current	min	1.7	1.0	0.8	0.7
	max	5.1	3.0	2.4	2.1
Short Circuit Current Test (Amps)					
Secondary Current	1.8 - 3.0				
Input Current	min	0.90	0.50	0.40	0.40
	max	2.70	1.50	1.20	1.20
Core and Coil Specifications					
Dimension "A"	2.30				
Dimension "B"	3.8				
Weight (lbs.)	6.8				
Lead Lengths (in.)	12				
Capacitor Specifications					
Microfarads	16				
Volts (min.)	280				
	Round DRY				
Case Size (in.)	1.5				
Height (in.)	3.2				
Temp Rating - C	100				
Starter Specifications					
HI Model No.	ST1001				
BTL	5-FT				
Temp Rating (C)	105				

Wiring Diagram



Starter ST1001: X1- Red; X2 - White; X3 - Blue

Dimensional Diagram



Regulatory



Rev. Date: 2/11/2013
Cat. Ref.: 1093-910362-XXX

Test Ref.: Validation

Specifications subject to change without notice.

Howard Lighting Products P.O. Box 1590 Laurel, MS 39441
Phone: 1-800-956-3456 Fax: (601) 422-1652 www.howardlightingproducts.com