

IMPORTANT:

Read all instructions carefully before attempting installation. If you do not understand these instructions, please consult your local distributor.

Thoroughly inspect the fixture for any freight damage; freight damage should be reported to the delivery carrier.

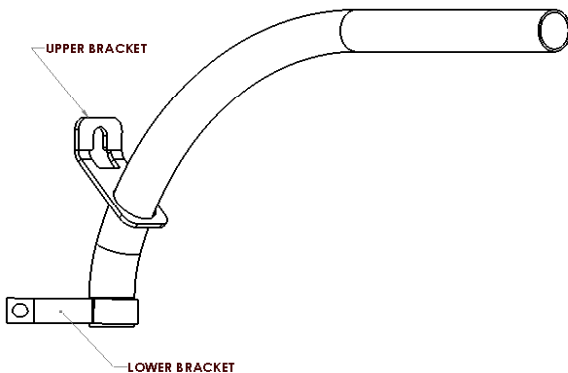
Compare the catalog/model number description on the packing slip with the fixture label to assure that you have received the correct product.

MOUNTING ARM INSTALLATION:

Determine mounting height and location for arm. Drill an 11/16" diameter hole through the pole. Insert thru bolt through the hole, place washer and nut onto threaded end of bolt. Slide the slotted portion of the upper arm bracket behind the thru bolt head; tighten nut to secure upper bracket to pole.

Drive lag screws through the two holes in the lower bracket and into the pole. Tighten lag screws and thru bolt to hold arm securely.

CAUTION: Arm is not intended to support a person.



PHOTOELECTRIC CONTROL:

Lift & rotate the Receptacle such that the arrow on the top points North. Release so that the Receptacle snaps back into position. Plug Photocontrol into the Receptacle and twist clockwise until it locks into position.

NOTE: Insure Photocontrol is rated for the same voltage as the luminaire.

NOTE: Photocontrol includes a time delay before luminaire will energize (to avoid nuisance cycling).

WARNING:

Disconnect power during installation and before servicing (including relamping).

Risk of Fire. Product is for outdoor installation and use only.

To avoid the risk of fire or shock, this fixture must be wired in accordance with the National Electric Code and applicable local codes or ordinances.

All work should be performed by a qualified electrician.

To insure personal safety, proper grounding is required

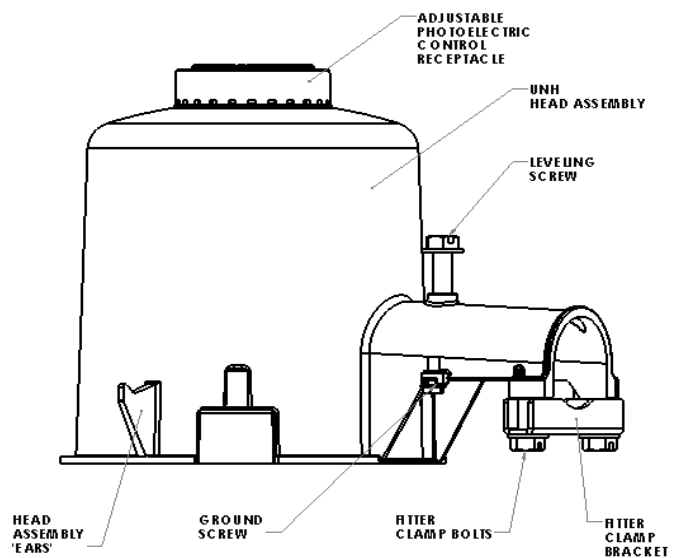
NEMA HEAD INSTALLATION:

Loosen fitter clamp bracket & slide onto mounting arm. Level the head assembly using the leveling screw. Fully tighten fitter clamp bolts (10-12 ft-lbs). Attach incoming power lead wires to terminal block (L1 & N terminals, typically). Route lead wires through mounting arm, form a drip loop, and connect lead wires to power source.

Insure that power supply voltage and luminaire voltage ratings match.

Attach reflector/refractor optic assembly by placing long latch springs over head assembly 'ears'. Pull down on smaller latch spring to lock optics onto head assembly.

Screw lamp into lamp socket until firmly seated. Insure that the lamp used matches rated lamp indicated on luminaire nameplate.



These instructions do not claim to cover every detail or variation in the equipment or application. These instructions do not claim to cover every possible contingency during installation or maintenance.