

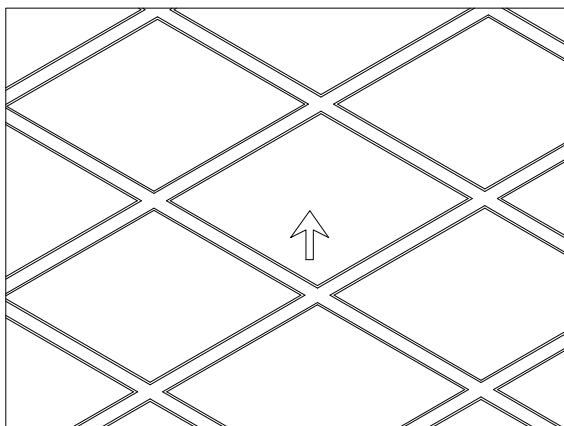
 **Warning :**

1. The LED center basket is U.L. listed for indoor, damp locations.
2. It must be installed and maintained by qualified electricians.
3. Please cut off any power before installation and maintenance to prevent electric shocks.
4. To prevent damage and reduced lifespan, this LED center basket must be installed in ambient temperatures from -25°C to 50°C (-13°F to 122°F).
5. The light source of this luminaire is not replaceable. When the light source reaches its end of life, the luminaire must be replaced.

Nominal Size	Size	Wattage
2'x2'	23.7"x23.7"x2"	32W
2'x4'	23.7"x47.7"x2"	40W

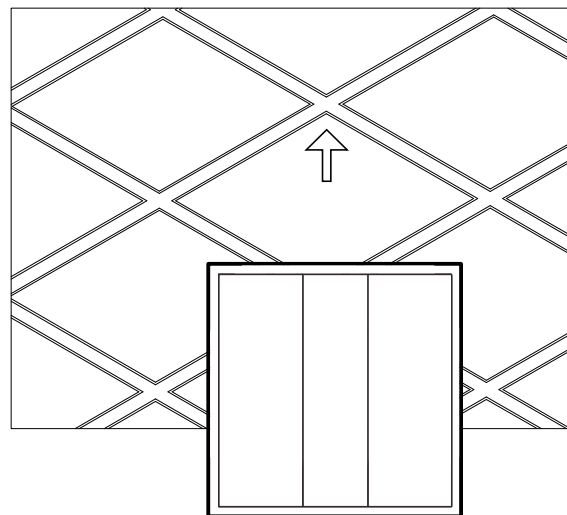
STEP 1

Remove a ceiling grid to install the luminaire. Remove an adjacent ceiling grid to provide access to make wiring connections.



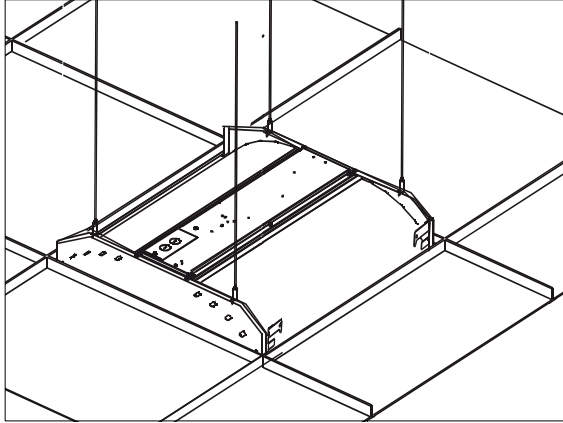
STEP 2

Rotate the luminaire 45 degrees from the ceiling grids, and pass the luminaire through the grid.



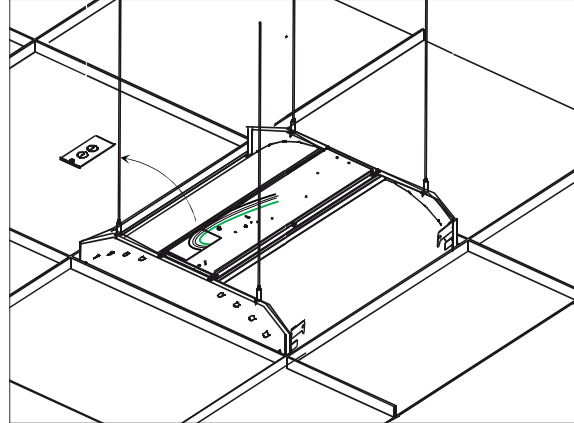
STEP 3

After passing the luminaire through the ceiling, lay it on the ceiling grid. For extra security, the luminaire can be suspended from secure ceiling structures by suspension wires (not provided with luminaire)



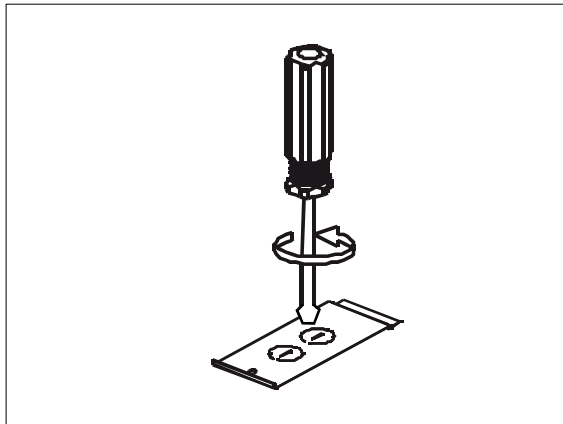
STEP 4

After the luminaire is securely installed in the ceiling grid, remove the wireway cover to provide power to the luminaire.



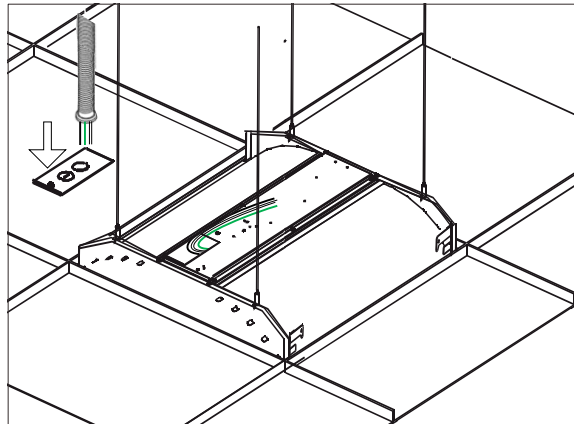
STEP 5

Select a knock-out into which incoming power will be fed. Insert a screwdriver into the knock-out slot, and twist the knock-out to remove it.



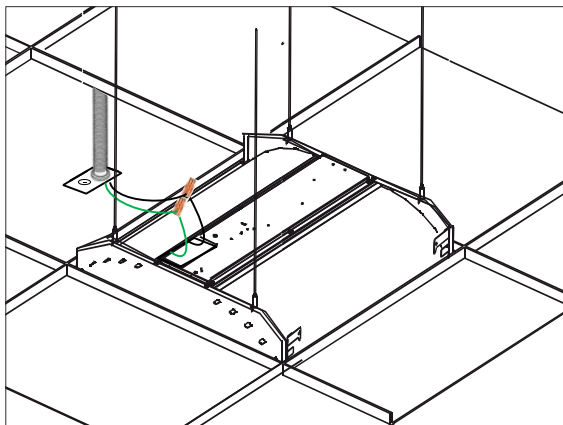
STEP 6

Connect conduit to the open knock-out, and feed incoming power wires-and if dimming control device is used, low voltage control wires-through the knock-out.



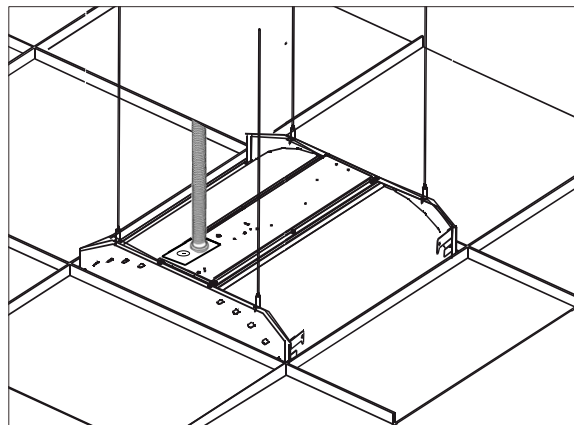
STEP 7

Connect luminaire power wires to incoming power wires (see *Wiring Diagram*). If dimming wires are not used, make sure they are capped.



STEP 8

Reattach the wireway cover.



Wiring Diagram

