



HF-PMK2 INSTALLATION INSTRUCTION SHEET

HOWARDTM

LIGHTING PRODUCTS

IMPORTANT:

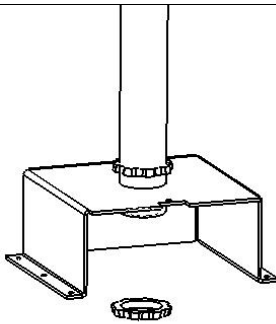
- Read all instructions carefully before attempting installation. If you do not understand these instructions, please consult your local distributor.
- Thoroughly inspect the fixture for any freight damage; freight damage should be reported to the delivery carrier.

WARNING:

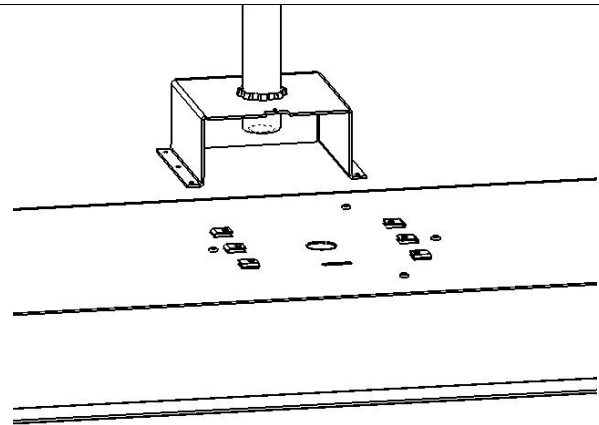
- Disconnect power during installation and before servicing.

SAFETY:

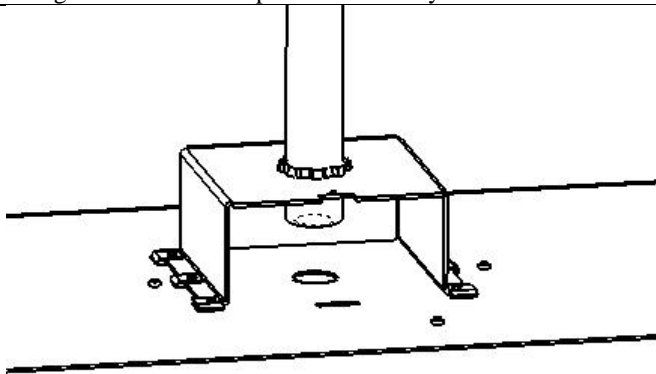
- This fixture must be wired in accordance with the National Electric Code and applicable local codes or ordinances.
- All work should be performed by a qualified electrician.
- To insure personal safety, proper grounding is required (connect green fixture lead to supply ground).



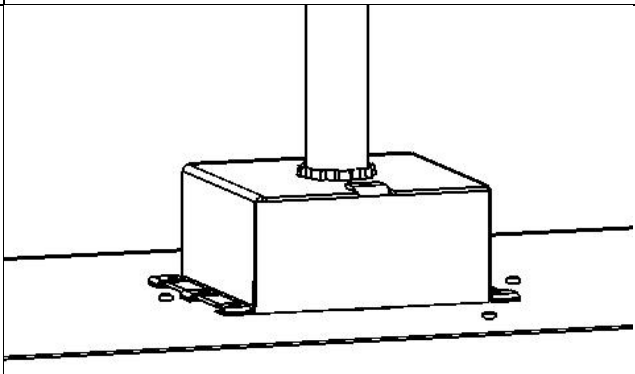
1) Thread conduit nut onto conduit and insert conduit through top of J-box as shown. Thread second conduit nut onto conduit and tighten to secure the pendant assembly.



2) Slide fixture onto assembled pendant mount so that fixture tab holes align with j-box flange holes.



3) Secure pendant mount assembly onto fixture using provided #8 screws.



4) Make wiring connections as necessary (not shown). Place end plate onto J-Box and secure with provided screw. If additional leveling is required, purchase Stabilize Kit HF-SK1 (includes support cables and Stabilizer Hub Plate).